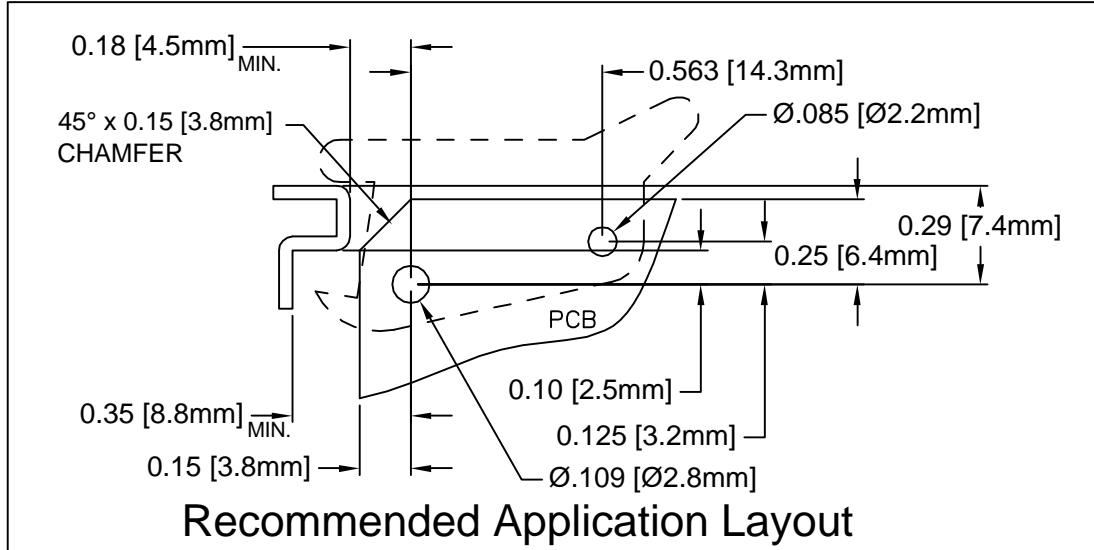


REV.	DESCRIPTION	DATE	APPROVED
F	Production Release	02/27/04	M. C.



CARD THICKNESS: 1/16"(1.6mm)

PART NO.	BIVAR MT'L CODE
LP-06 NT	03-NL (#2, Natural, 94V-2)
LP-06 BK	03-NL-BK (#3, Black, 94V-2)
LP-06 WE	04-WE (#4, White, 94V-2)
LP-06 BK 94V-0	22-BK (#5, Black, 94V-0)
LP-06 WE 94V-0	24-WE (#6, White, 94V-0)

6. MATERIAL: NYLON 6/6, 94V-0, WHITE. BIVAR MATERIAL CODE 24-WE.  
RTP POLYAMIDE NYLON 6/6, 0299X63548, NATURAL OR MODIFIED PLASTICS MN6/6-SE WHT.
5. MATERIAL: NYLON 6/6, 94V-0, BLACK. BIVAR MATERIAL CODE 22-BK.  
RTP POLYAMIDE NYLON 6/6, 0200 FR, BLACK OR MODIFIED PLASTICS MN6/6-SE BK.
4. MATERIAL: NYLON 6/6, 94V-2, WHITE. BIVAR MATERIAL CODE 04-WE.  
BASF ULTRAMID NYLON 6/6 A3K WHITE.
3. MATERIAL: NYLON 6/6, 94V-2, BLACK. BIVAR MATERIAL CODE 03-NL-BK.  
BASF ULTRAMID NYLON 6/6 A3K NATURAL W/BLACK PIGMENT ADDED.
2. MATERIAL: NYLON 6/6, 94V-2, NATURAL. BIVAR MATERIAL CODE 03-NL.  
BASF ULTRAMID NYLON 6/6 A3K NATURAL.
1. GENERAL SPECIFICATIONS: BIVAR MOLDED COMPONENT SPECIFICATION BV00-E101.

STANDARD TOLERANCE (UNLESS OTHERWISE SPECIFIED)		 4 THOMAS, IRVINE, CA. 92618 TEL: (949) 951-8808 FAX: (949) 951-3974					
DECIMALS	ANGULAR						
.X ± .1	X° ± 1°		<b>TITLE:</b> CIRCUIT BOARD CARD EJECTOR				
.XX ± .01				<b>DESIGNED:</b> Shane Irving	<b>DATE:</b> 09/21/98	<b>PART NO.:</b> LP-06	<b>REVISION:</b> F
.XXX ± .005				<b>CHECKED:</b> R. Dienst	<b>DATE:</b> 04/06/00	<b>CAGE CODE :</b> 32559	<b>SHEET #</b> 1 OF 1
CAD GENERATED DOCUMENT, DO NOT MEASURE DRAWING.							