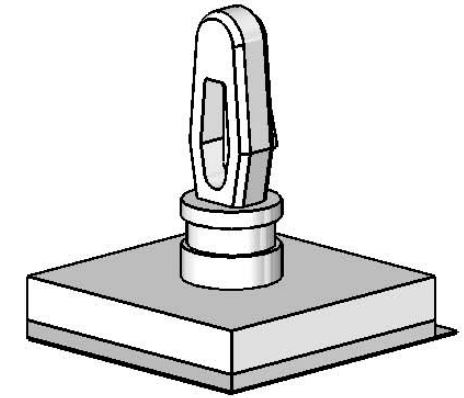
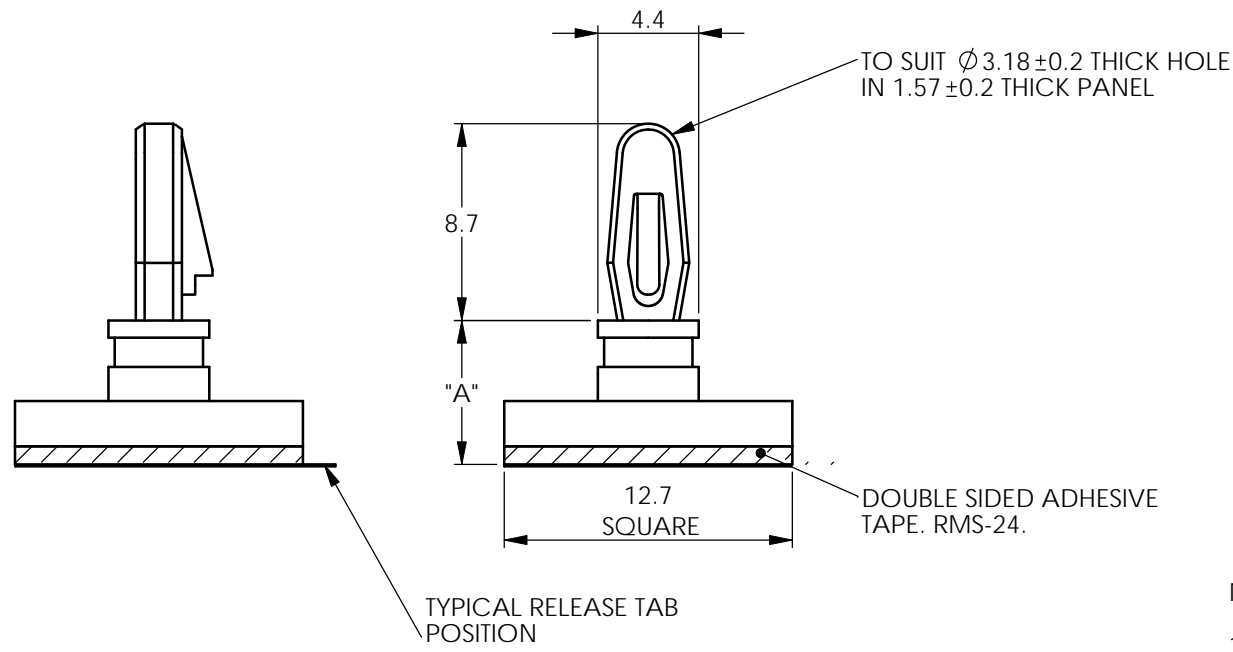


REV.	MODIFICATION.	DATE	DRN
01	ECN2008-007	10/01/08	SF
02	CO2010267	07/07/08	SF
03	CO2010618	02/04/09	SF
04	CO2010629	17/04/09	SF
05	CO2010945	22/06/10	SF



NOTE:

- 1) ADHESIVE MATERIAL:
ADHESIVE, PE FILM LINER(RMS-24).
- 2) THE COLOUR OF THE ADHESIVE LINER MAY VARY. THIS
THIS WILL NOT AFFECT THE TECHNICAL PROPERTIES OF
THE PART.

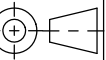
PART NUMBER	"A" DIM	MATERIAL	
LCBSBM-3-01A2-RT	4.8	NYLON 6/6 UL94-V2 (RMS-01)	
LCBSBM-4-01A2-RT	6.4		
LCBSBM-5-01A2-RT	7.9		
LCBSBM-6-01A2-RT	9.5		
LCBSBM-7-01A2-RT	11.1		
LCBSBM-8-01A2-RT	12.7		
LCBSBM-9-01A2-RT	14.3		
LCBSBM-10-01A2-RT	15.9		
LCBSBM-3-19A2-RT	4.8		NYLON 6/6 UL94-V0 (RMS-19)
LCBSBM-4-19A2-RT	6.4		
LCBSBM-5-19A2-RT	7.9		
LCBSBM-6-19A2-RT	9.5		
LCBSBM-7-19A2-RT	11.1		
LCBSBM-8-19A2-RT	12.7		
LCBSBM-9-19A2-RT	14.3		
LCBSBM-10-19A2-RT	15.9		

INFORMATION CONTAINED IN THIS DOCUMENT IS CONFIDENTIAL TO RICHCO INTERNATIONAL Co. Ltd. AND MAY NOT BE DISCLOSED OR REPRODUCED IN WHOLE OR PART WITHOUT THEIR WRITTEN CONSENT.

RICHCO, INC.
WWW.RICHCO-INC.COM

ALL DIMENSIONS IN mm
GENERAL TOLERANCES ± 0.25
UNLESS OTHERWISE STATED
1 DECIMAL PLACE ± 0.25
2 DECIMAL PLACES ± 0.10
ANGULAR $\pm 1^\circ$

THIRD ANGLE



MATERIAL: SEE TABLE		COLOUR: NATURAL	
DESCRIPTION: LOCKING CIRCUIT BOARD SUPPORT ON BASE MINITURE		PART No: SEE TABLE	
DRG No: 132-5002	NPR No: N/A	Mass:(g) 0.8	SHEET SIZE A4
DRN SF	DATE 11/01/08	CHKD TC	DATE 11/01/08
SCALE NTS		SHEET No. 1 OF 1	