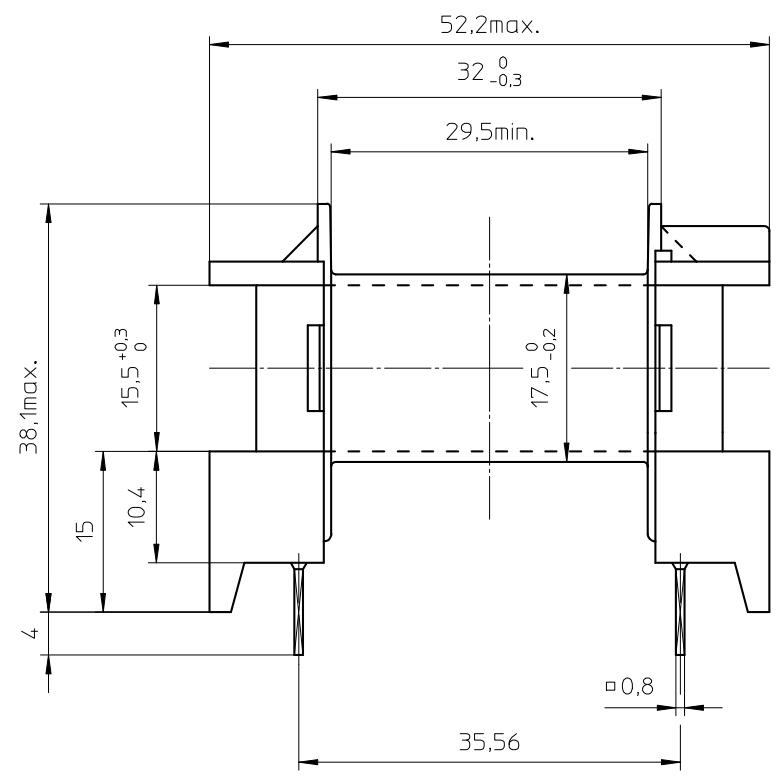
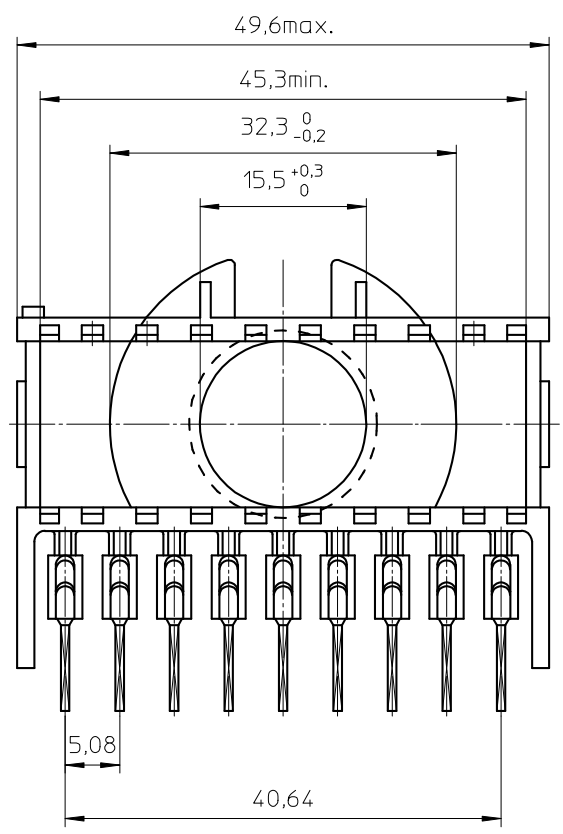


**FERROXCUBE**

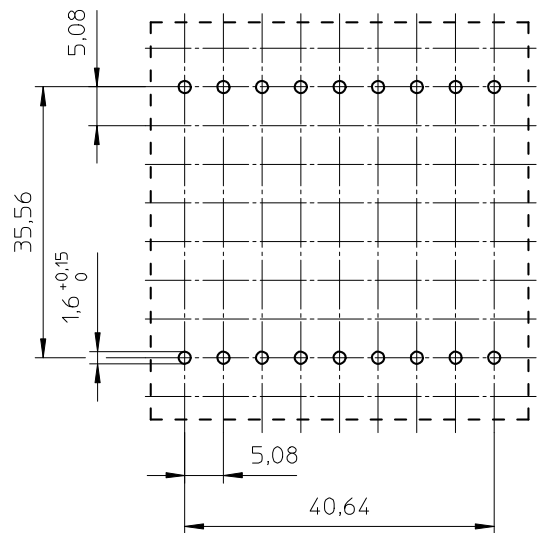


e

f



HOLE PATTERN:



Coil former material: Valox 420SEO (PBT), glass-reinforced.  
 UL file number: E45329(R) - UL94V-0.  
 Pin material: Copper-plated steel wire, Sn plated.  
 Max. operating temp.: acc. to IEC 60 085 class F, 155°C.  
 Resistance to soldering heat: acc. to IEC 60 068-2-20 Part 2, Test Tb, method 1B, 350°C - 3,5sec.  
 Solderability: acc. to IEC 60 068-2-20 Part 2, Test Ta, method 1, 235°C - 2sec.  
 Min. winding area: 215 mm<sup>2</sup>.  
 Mean length of turn: 77 mm.

CLASSNO.		CPH-ETD44-1S-18P		4322 021 01661		96-02-06
97-10-31						96-08-27
						97-10-31
						2004-09-28
						2008-06-19
NAME NAAM	M. Trynkiel	SUPERS. VERV.		001	SPSH BL BL	112 - 001
MPA	CHECK CONTR.	DAT.	96-02-06	Property of Eigendom van	© FERROXCUBE 2008	069

a  
b  
c  
d

1 2 3 4