

# ZBRP1

## Rope Pull Switch transmitter wireless and batteryless



### Main

|                           |                                      |
|---------------------------|--------------------------------------|
| Range of product          | Harmony                              |
| Product or component type | Wireless and batteryless transmitter |
| Device short name         | XB5R                                 |
| Bezel material            | Plastic                              |

### Complementary

|                             |  |
|-----------------------------|--|
| CAD overall height          | 144 mm   |
| CAD overall width           | 56 mm  |
| CAD overall depth           | 38 mm  |
| Product weight              | 0.15 kg  |
| Pulling force               | 1000 N (maximum)<br>>= 45 N (activating)   |
| Mechanical robustness       | Free fall resistance (test level: 1000 mm) conforming to EN/IEC 60068-2-32   |
| Standards                   | EN/IEC 60947-1<br>EN/IEC 60947-5-1<br>UL 508<br>CSA C22.2 No 14  |
| Radio agreement             | SRRC<br>RSS<br>ICASA<br>FCC<br>ARIB T66<br>ANATEL  |
| Communication port protocol | Zigbee (green power) at 2.4 GHz  |
| Maximum sensing distance    | 300 m transmitter in box type XAL D, receiver in metal enclosure and use re-lay-antenna<br>25 m transmitter in a plastic box type XAL D and receiver in a metal enclosure<br>100 m in free field |
| Acquisition time            | 2 ms   |
| Response time               | < 2 ms   |
| Emission power              | 3 mW   |
| Fixing mode                 | By screw, nominal torque: 2 N.m (tolerance: +/- 0.2 N.m)   |
| Mounting mode               | Panel-mounted<br>Between 2 ropes   |
| Operating position          | Any position   |

### Environment

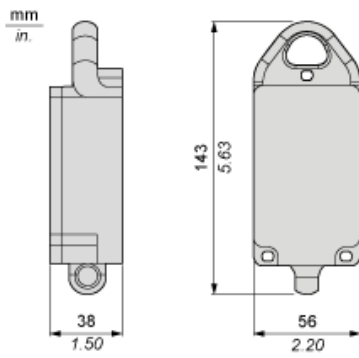
|                                       |   |
|---------------------------------------|---|
| Ambient air temperature for storage   | -40...70 °C                             |
| Ambient air temperature for operation | -25...70 °C                             |
| Relative humidity                     | 95 % at 70 °C without condensation      |
| IP degree of protection               | IP66 on outdoor conforming to IEC 60529 |
| NEMA degree of protection             | NEMA 4X for outdoor installation        |
| IK degree of protection               | IK05 conforming to IEC 50102            |
| Mechanical durability                 | 1000000 cycles                          |

|                               |   |
|-------------------------------|---|
| Shock resistance              | 25 gn (duration = 6 ms) for 6000 shocks conforming to IEC 60068-2-27<br>50 gn for 11 ms half sine wave acceleration conforming to IEC 60068-2-27<br>30 gn for 18 ms half sine wave acceleration conforming to IEC 60068-2-27  |
| Vibration resistance          | +/- 10 mm (f= 2...11 Hz) conforming to IEC 60068-2-6<br>5 gn (f= 11...500 Hz) conforming to IEC 60068-2-6   |
| Electromagnetic compatibility | Radiated emission<br>Susceptibility to electromagnetic fields (test level:3 V/m - 80...2700 MHz, distance = 20 m)<br>Susceptibility to electromagnetic fields (test level:10 V/m - 80...2000 MHz)<br>Electrostatic discharge immunity test (test level:6 kV - on contact (on metal parts))<br>Electrostatic discharge immunity test (test level:8 kV - in free air (in insulating parts))<br>Immunity for industrial environments |
| Product certifications        | CCC<br>CSA<br>C-Tick<br>GOST<br>UL<br>BT 2006/95/EC<br>EMC directive 2004/108/EC<br>R&TTE directive 1999/5/EC   |

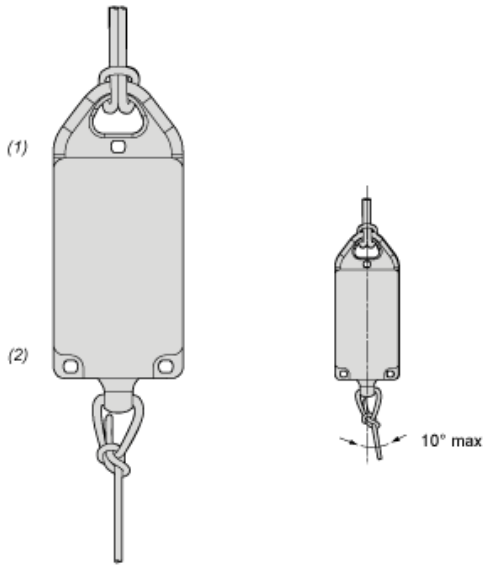
---

Wireless and Batteryless Rope Pull Switch Transmitter

---

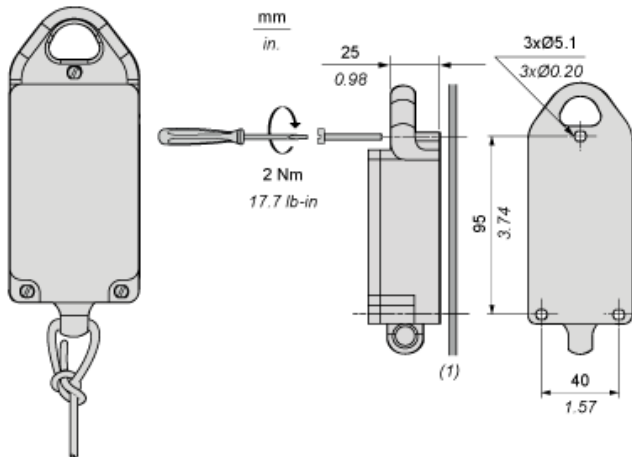


Transmitter Mounting



- (1) HIGH
- (2) BOTTOM

Transmitter Mounting on Flat Surface



- (1) Installation on flat surface