

# AYZ Series Miniature Slide Switches



## Features/Benefits

- Low profile
- Single & double pole models
- Double & triple throw models
- RoHS compatible

## Typical Applications

- Computer peripherals & network products
- Telecommunication products
- Test & measurement equipment



Slide

## Specifications

MAX. SWITCHING POWER: 1.2 VA  
 MAX. SWITCHING VOLTAGE: 12 VDC  
 MAX. SWITCHING CURRENT: 100 mA  
 MECHANICAL LIFE: 10,000 operations.  
 CONTACT RESISTANCE: <math><80\text{m}\Omega</math>  
 INSULATION RESISTANCE: >10<sup>8</sup>Ω  
 DIELECTRIC STRENGTH: 0.1 kV at 50 Hz/1 min.  
 OPERATING TEMPERATURE: -10°C to +60°C  
 PACKAGING: Tape & reel, see page I-47.

## Materials

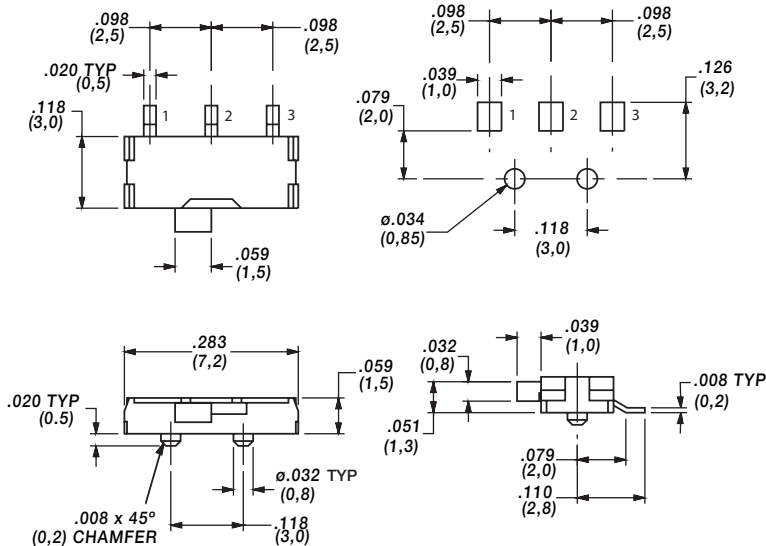
HOUSING: Glass filled nylon 4/6 (UL 94V-0).  
 ACTUATOR: Glass filled nylon 6/6 (UL 94V-0), except options ending in C which are glass filled nylon 4/6 (UL94V-0).  
 COVER: Nickel silver.  
 MOVABLE CONTACT: Copper alloy, silver plated.  
 FIXED CONTACT: Brass, silver plated.  
 CONTACT SPRING: Contact bronze.

**NOTE:** Specifications and materials listed above are for switches with standard options. For information on specific and custom switches, consult Customer Service Center.

## How To Order

Complete part numbers for AYZ Series Miniature Slide Switches are shown on pages I-46 through I-48.

### PC MOUNTING



SWITCH SHOWN IN POSITION 1

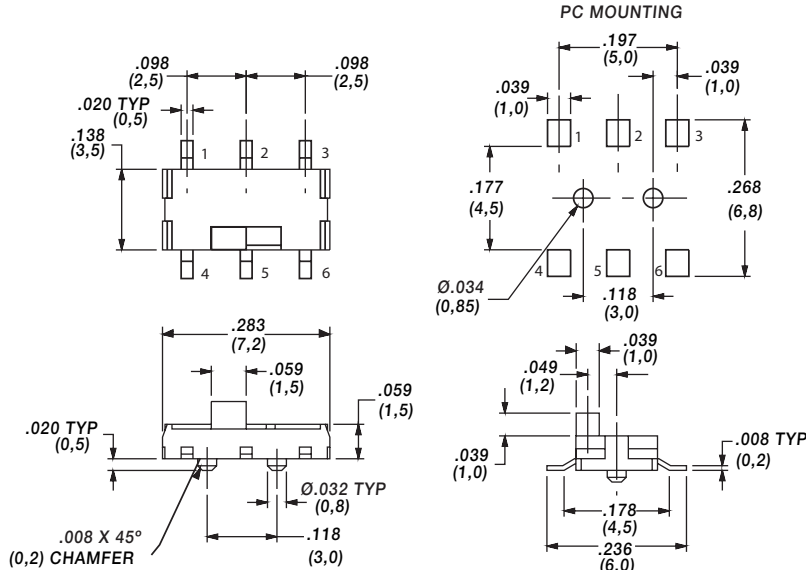
PART NUMBER	SWITCH FUNCTION	
	POS.1	POS.2
AYZ0102AGRLC	ON	ON
CONN. TERMINALS	1-2	2-3
SCHEMATIC		
SPDT		



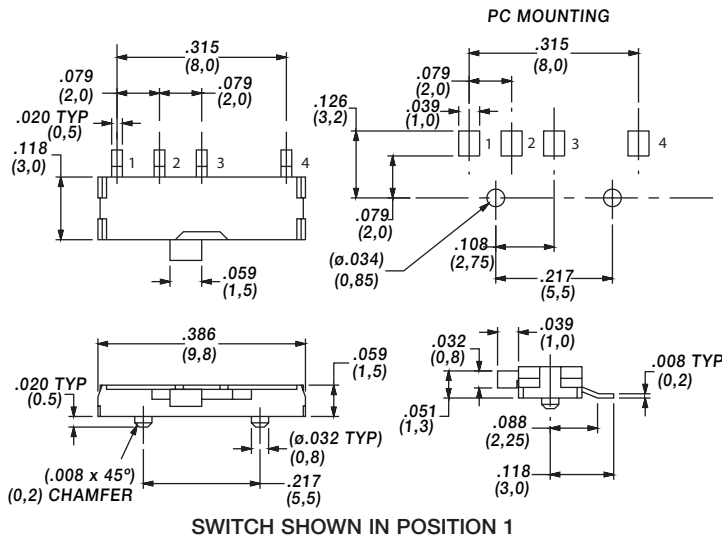
Third Angle Projection

Dimensions are shown: Inch (mm)  
 Specifications and dimensions subject to change

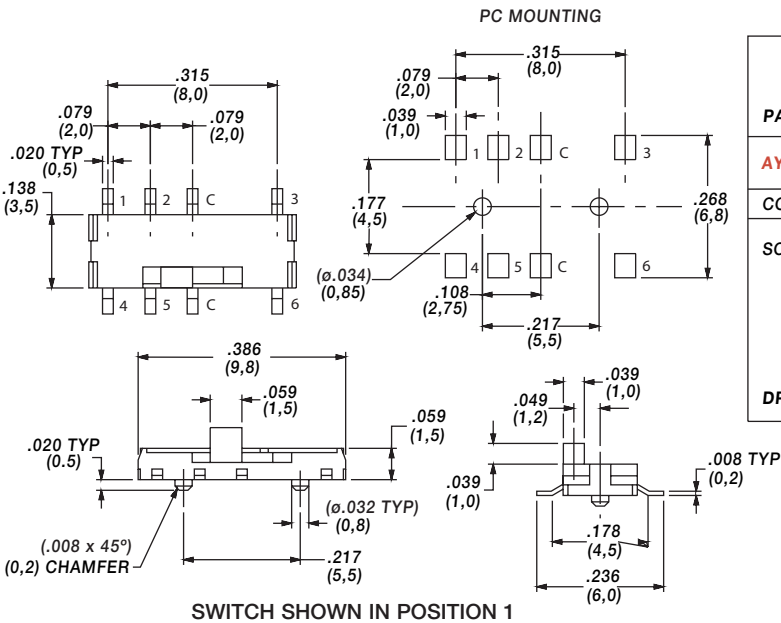
# AYZ Series Miniature Slide Switches



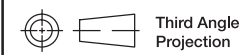
PART NUMBER	RoHS Compliant	RoHS Compatible	SWITCH FUNCTION	
			POS.1	POS.2
<b>AYZ2020AGRLC</b>	YES	YES	ON	ON
CONN. TERMINALS			1-2,4-5	2-3,5-6
SCHEMATIC				
DPDT				



PART NUMBER	ROHS Compliant	ROHS Compatible	SWITCH FUNCTION		
			POS.1	POS.2	POS.3
<b>AYZ103AGRLC</b>	YES	YES	ON	ON	ON
CONN. TERMINALS			1-3	2-C	3-4
SCHEMATIC					
SP3T					



PART NUMBER	ROHS Compliant	ROHS Compatible	SWITCH FUNCTION		
			POS.1	POS.2	POS.3
<b>AYZ2030AGRLC</b>	YES	YES	ON	ON	ON
CONN. TERMINALS			1-C,4-C	2-C,5-C	3-C,6-C
SCHEMATIC					
DP3T					



Dimensions are shown: Inches (mm)  
Specifications and dimensions subject to change



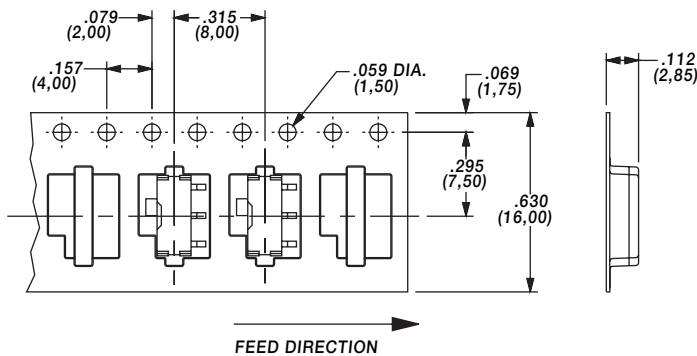
Slide

# AYZ Series Miniature Slide Switches

## TAPE & REEL

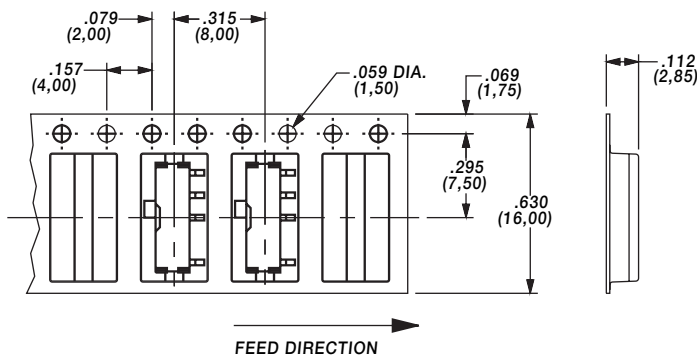
For part number AYZ0102AGRLC

Quantity per reel 4000



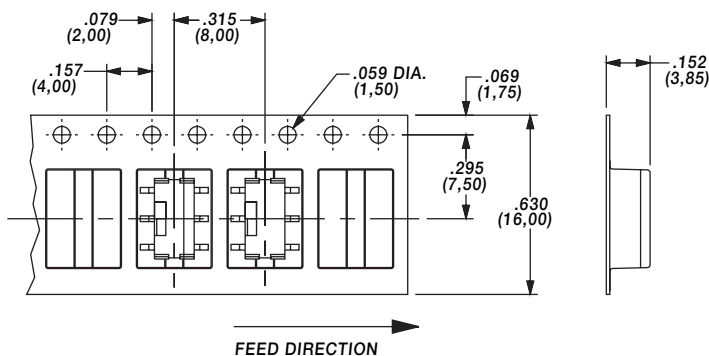
For part number AYZ0103AGRLC

Quantity per reel 4000



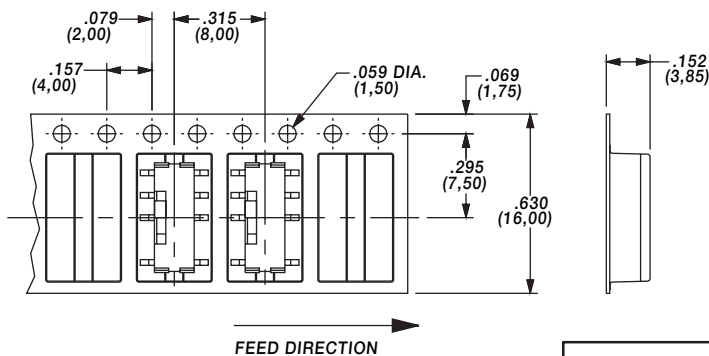
For part number AYZ0202AGRLC

Quantity per reel 3000



For part number AYZ0203AGRLC

Quantity per reel 3000



Third Angle  
Projection

Dimensions are shown: Inch (mm)

Specifications and dimensions subject to change

