

# MAX756/MAX757

## 3.3V/5V/Adjustable-Output, Step-Up DC-DC Converters

### General Description

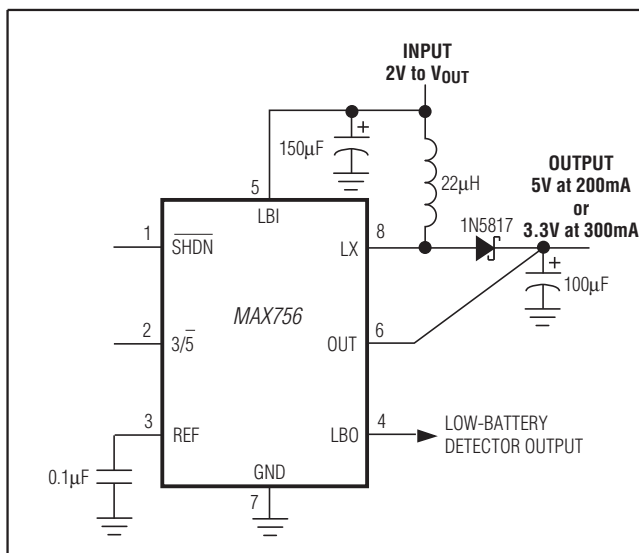
The MAX756/MAX757 are CMOS step-up DC-DC switching regulators for small, low input voltage or battery-powered systems. The MAX756 accepts a positive input voltage down to 0.7V and converts it to a higher pin-selectable output voltage of 3.3V or 5V. The MAX757 is an adjustable version that accepts an input voltage down to 0.7V and generates a higher adjustable output voltage in the range from 2.7V to 5.5V. Typical full-load efficiencies for the MAX756/MAX757 are greater than 87%.

The MAX756/MAX757 provide three improvements over previous devices. Physical size is reduced—the high switching frequencies (up to 0.5MHz) made possible by MOSFET power transistors allow for tiny (<5mm diameter) surface-mount magnetics. Efficiency is improved to 87% (10% better than with low-voltage regulators fabricated in bipolar technology). Supply current is reduced to 60µA by CMOS construction and a unique constant-off-time pulse-frequency modulation control scheme.

### Applications

- 3.3V to 5V Step-Up Conversion
- Palmtop Computers
- Portable Data-Collection Equipment
- Personal Data Communicators/Computers
- Medical Instrumentation
- 2-Cell & 3-Cell Battery-Operated Equipment
- Glucose Meters

### Typical Operating Circuit



### Features

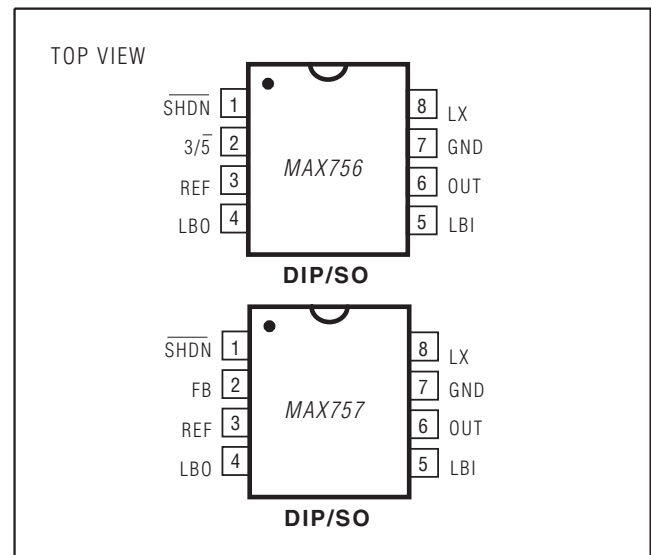
- ◆ Operates Down to 0.7V Input Supply Voltage
- ◆ 87% Efficiency at 200mA
- ◆ 60µA Quiescent Current
- ◆ 20µA Shutdown Mode with Active Reference and LBI Detector
- ◆ 500kHz Maximum Switching Frequency
- ◆ ±1.5% Reference Tolerance Over Temperature
- ◆ Low-Battery Detector (LBI/LBO)
- ◆ 8-Pin DIP and SO Packages

### Ordering Information

| PART      | TEMP. RANGE    | PIN-PACKAGE   |
|-----------|----------------|---------------|
| MAX756CPA | 0°C to +70°C   | 8 Plastic DIP |
| MAX756CSA | 0°C to +70°C   | 8 SO          |
| MAX756C/D | 0°C to +70°C   | Dice*         |
| MAX756EPA | -40°C to +85°C | 8 Plastic DIP |
| MAX756ESA | -40°C to +85°C | 8 SO          |
| MAX757CPA | 0°C to +70°C   | 8 Plastic DIP |
| MAX757CSA | 0°C to +70°C   | 8 SO          |
| MAX757C/D | 0°C to +70°C   | Dice*         |
| MAX757EPA | -40°C to +85°C | 8 Plastic DIP |
| MAX757ESA | -40°C to +85°C | 8 SO          |

\* Dice are tested at  $T_A = +25^\circ\text{C}$  only.

### Pin Configurations



For pricing, delivery, and ordering information, please contact Maxim Direct at 1-888-629-4642, or visit Maxim's website at [www.maximintegrated.com](http://www.maximintegrated.com).

# MAX756/MAX757

## 3.3V/5V/Adjustable-Output, Step-Up DC-DC Converters

### ABSOLUTE MAXIMUM RATINGS

|                                                                                                             |                                           |
|-------------------------------------------------------------------------------------------------------------|-------------------------------------------|
| Supply Voltage (OUT to GND)                                                                                 | -0.3V, +7V                                |
| Switch Voltage (LX to GND)                                                                                  | -0.3V, +7V                                |
| Auxiliary Pin Voltages ( $\overline{\text{SHDN}}$ , LBI, LBO, REF, $\overline{3/\overline{5}}$ , FB to GND) | -0.3V, ( $V_{\text{OUT}} + 0.3\text{V}$ ) |
| Reference Current ( $I_{\text{REF}}$ )                                                                      | 2.5mA                                     |
| Continuous Power Dissipation ( $T_A = +70^\circ\text{C}$ )                                                  |                                           |
| Plastic DIP (derate 9.09mW/ $^\circ\text{C}$ above $+70^\circ\text{C}$ )                                    | 727mW                                     |
| SO (derate 5.88mW/ $^\circ\text{C}$ above $+70^\circ\text{C}$ )                                             | 471mW                                     |

Operating Temperature Ranges:

|                                     |                                              |
|-------------------------------------|----------------------------------------------|
| MAX75_C_                            | 0 $^\circ\text{C}$ to $+70^\circ\text{C}$    |
| MAX75_E_                            | -40 $^\circ\text{C}$ to $+85^\circ\text{C}$  |
| Junction Temperature                | $+150^\circ\text{C}$                         |
| Storage Temperature Range           | -65 $^\circ\text{C}$ to $+160^\circ\text{C}$ |
| Lead Temperature (soldering, 10sec) | $+300^\circ\text{C}$                         |

Stresses beyond those listed under "Absolute Maximum Ratings" may cause permanent damage to the device. These are stress ratings only, and functional operation of the device at these or any other conditions beyond those indicated in the operational sections of the specifications is not implied. Exposure to absolute maximum rating conditions for extended periods may affect device reliability.

### ELECTRICAL CHARACTERISTICS

(Circuits of Figure 1 and Typical Operating Circuit,  $V_{\text{IN}} = 2.5\text{V}$ ,  $I_{\text{LOAD}} = 0\text{mA}$ ,  $T_A = T_{\text{MIN}}$  to  $T_{\text{MAX}}$ , unless otherwise noted.)

| PARAMETER                                                                      | CONDITIONS                                                                                                                                              | MIN                                                                                             | TYP  | MAX       | UNITS         |   |
|--------------------------------------------------------------------------------|---------------------------------------------------------------------------------------------------------------------------------------------------------|-------------------------------------------------------------------------------------------------|------|-----------|---------------|---|
| Output Voltage                                                                 | $2\text{V} < V_{\text{IN}} < 3\text{V}$                                                                                                                 | MAX756, $\overline{3/\overline{5}} = 0\text{V}$ , $0\text{mA} < I_{\text{LOAD}} < 200\text{mA}$ | 4.8  | 5.0       | 5.2           | V |
|                                                                                |                                                                                                                                                         | MAX756, $\overline{3/\overline{5}} = 3\text{V}$ , $0\text{mA} < I_{\text{LOAD}} < 300\text{mA}$ | 3.17 | 3.30      | 3.43          |   |
|                                                                                |                                                                                                                                                         | MAX757, $V_{\text{OUT}} = 5\text{V}$ , $0\text{mA} < I_{\text{LOAD}} < 200\text{mA}$            | 4.8  | 5.0       | 5.2           |   |
| Minimum Start-Up Supply Voltage                                                | $I_{\text{LOAD}} = 10\text{mA}$                                                                                                                         |                                                                                                 | 1.1  | 1.8       | V             |   |
| Minimum Operating Supply Voltage (once started)                                | $I_{\text{LOAD}} = 20\text{mA}$                                                                                                                         |                                                                                                 | 0.7  |           | V             |   |
| Quiescent Supply Current in 3.3V Mode (Note 1)                                 | $I_{\text{LOAD}} = 0\text{mA}$ , $\overline{3/\overline{5}} = 3\text{V}$ , LBI = 1.25V, $V_{\text{OUT}} = 3.47\text{V}$ , FB = 1.3V (MAX757 only)       |                                                                                                 |      | 60        | $\mu\text{A}$ |   |
| Battery Quiescent Current Measured at $V_{\text{IN}}$ in Figure 1              | Output set for 3.3V                                                                                                                                     |                                                                                                 | 60   |           | $\mu\text{A}$ |   |
| Shutdown Quiescent Current (Note 1)                                            | $\overline{\text{SHDN}} = 0\text{V}$ , LBI = 1.25V, $\overline{3/\overline{5}} = 3\text{V}$ , $V_{\text{OUT}} = 3.47\text{V}$ , FB = 1.3V (MAX757 only) |                                                                                                 | 20   | 40        | $\mu\text{A}$ |   |
| Reference Voltage                                                              | No REF load, $C_{\text{REF}} = 0.1\mu\text{F}$                                                                                                          | 1.23                                                                                            | 1.25 | 1.27      | V             |   |
| Reference-Voltage Regulation                                                   | $\overline{3/\overline{5}} = 3\text{V}$ , $-20\mu\text{A} < \text{REF load} < 250\mu\text{A}$ , $C_{\text{REF}} = 0.22\mu\text{F}$                      |                                                                                                 | 0.8  | 2.0       | %             |   |
| LBI Input Threshold                                                            | With falling edge                                                                                                                                       | 1.22                                                                                            | 1.25 | 1.28      | V             |   |
| LBI Input Hysteresis                                                           |                                                                                                                                                         |                                                                                                 | 25   |           | mV            |   |
| LBO Output Voltage Low                                                         | $I_{\text{SINK}} = 2\text{mA}$                                                                                                                          |                                                                                                 |      | 0.4       | V             |   |
| LBO Output Leakage Current                                                     | LBO = 5V                                                                                                                                                |                                                                                                 |      | 1         | $\mu\text{A}$ |   |
| $\overline{\text{SHDN}}$ , $\overline{3/\overline{5}}$ Input Voltage Low       |                                                                                                                                                         |                                                                                                 |      | 0.4       | V             |   |
| $\overline{\text{SHDN}}$ , $\overline{3/\overline{5}}$ Input Voltage High      |                                                                                                                                                         | 1.6                                                                                             |      |           | V             |   |
| $\overline{\text{SHDN}}$ , $\overline{3/\overline{5}}$ , FB, LBI Input Current | LBI = 1.25V, FB = 1.25V, $\overline{\text{SHDN}} = 0\text{V}$ or 3V, $\overline{3/\overline{5}} = 0\text{V}$ or 3V                                      |                                                                                                 |      | $\pm 100$ | nA            |   |
| FB Voltage                                                                     | MAX757                                                                                                                                                  | 1.22                                                                                            | 1.25 | 1.28      | V             |   |
| Output Voltage Range                                                           | MAX757, $I_{\text{LOAD}} = 0\text{mA}$ (Note 2)                                                                                                         | 2.7                                                                                             |      | 5.5       | V             |   |

**Note 1:** Supply current from the 3.3V output is measured with an ammeter between the 3.3V output and OUT pin. This current correlates directly with actual battery supply current, but is reduced in value according to the step-up ratio and efficiency.

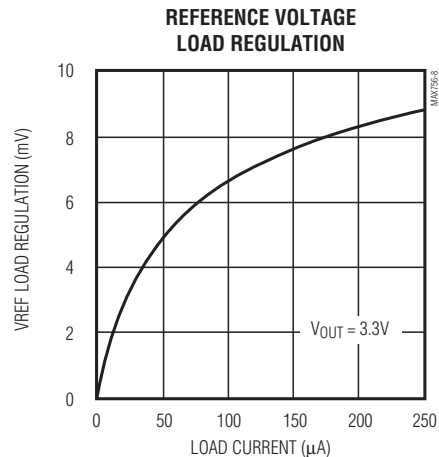
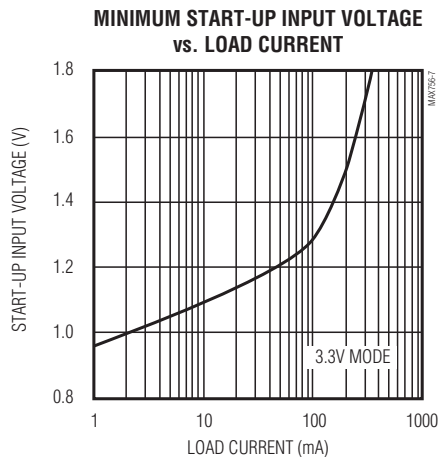
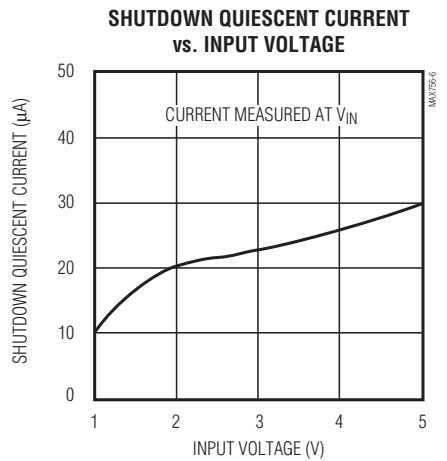
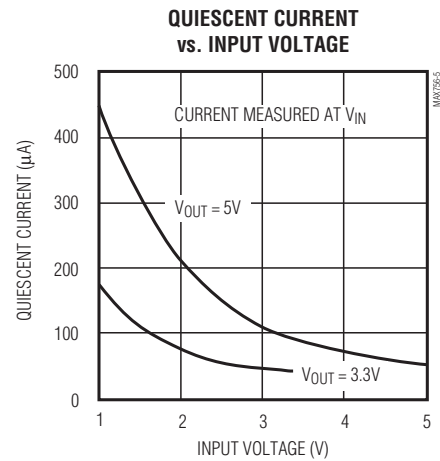
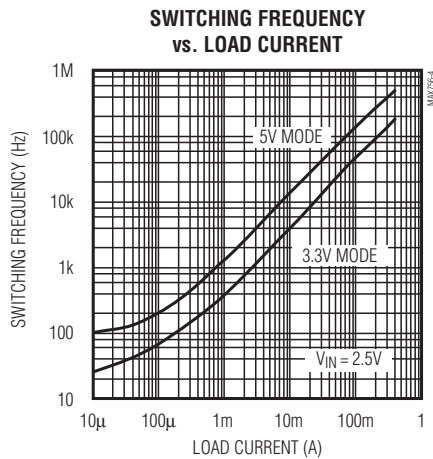
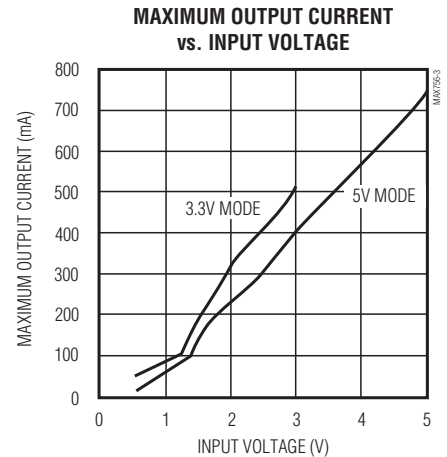
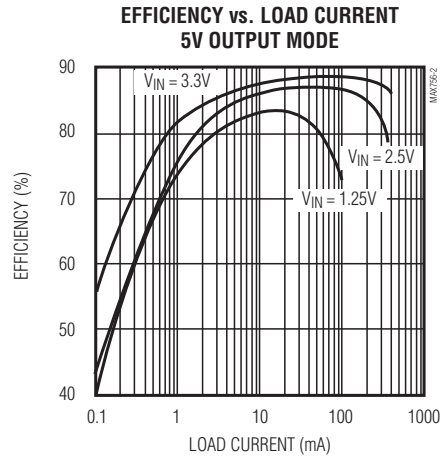
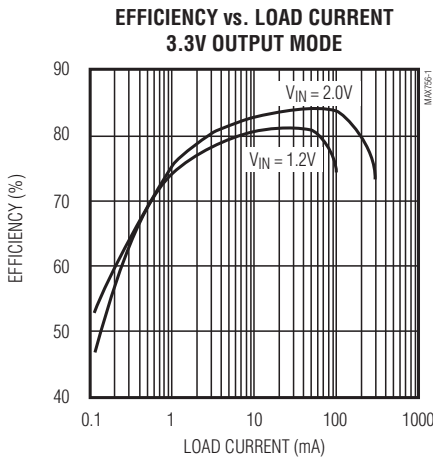
**Note 2:** Minimum value is production tested. Maximum value is guaranteed by design and is not production tested.

# MAX756/MAX757

## 3.3V/5V/Adjustable-Output, Step-Up DC-DC Converters

### Typical Operating Characteristics

(Circuit of Figure 1,  $T_A = +25^\circ\text{C}$ , unless otherwise noted.)

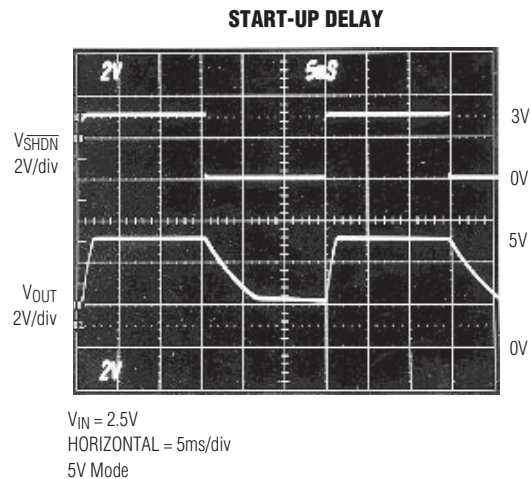
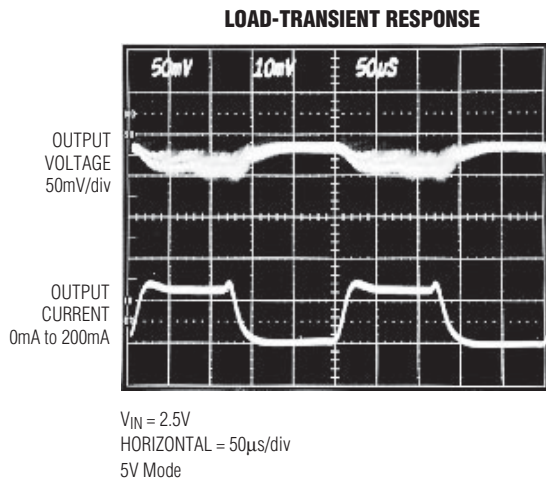


# MAX756/MAX757

## 3.3V/5V/Adjustable-Output, Step-Up DC-DC Converters

### Typical Operating Characteristics (continued)

(Circuit of Figure 1,  $T_A = +25^\circ\text{C}$ , unless otherwise noted.)



### Pin Description

| PIN    |        | NAME                     | FUNCTION                                                                                                                                                      |
|--------|--------|--------------------------|---------------------------------------------------------------------------------------------------------------------------------------------------------------|
| MAX756 | MAX757 |                          |                                                                                                                                                               |
| 1      | 1      | $\overline{\text{SHDN}}$ | Shutdown Input disables SMPS when low, but the voltage reference and low-battery comparator remain active.                                                    |
| 2      | –      | $3/\overline{5}$         | Selects the main output voltage setting; 5V when low, 3.3V when high.                                                                                         |
| –      | 2      | FB                       | Feedback Input for adjustable output operation. Connect to an external voltage divider between OUT and GND.                                                   |
| 3      | 3      | REF                      | 1.25V Reference Voltage Output. Bypass with 0.22µF to GND (0.1µF if there is no external reference load). Maximum load capability is 250µA source, 20µA sink. |
| 4      | 4      | LBO                      | Low-Battery Output. An open-drain N-channel MOSFET sinks current when the voltage at LBI drops below +1.25V.                                                  |
| 5      | 5      | LBI                      | Low-Battery Input. When the voltage on LBI drops below +1.25V, LBO sinks current. Connect to $V_{IN}$ if not used.                                            |
| 6      | 6      | OUT                      | Connect OUT to the regulator output. It provides bootstrapped power to both devices, and also senses the output voltage for the MAX756.                       |
| 7      | 7      | GND                      | Power Ground. Must be low impedance; solder directly to ground plane.                                                                                         |
| 8      | 8      | LX                       | 1A, 0.5Ω N-Channel Power MOSFET Drain                                                                                                                         |

# MAX756/MAX757

## 3.3V/5V/Adjustable-Output, Step-Up DC-DC Converters

### **Detailed Description**

#### **Operating Principle**

The MAX756/MAX757 combine a switch-mode regulator with an N-channel MOSFET, precision voltage reference, and power-fail detector in a single monolithic device. The MOSFET is a “sense-FET” type for best efficiency, and has a very low gate threshold voltage to ensure start-up under low-battery voltage conditions (1.1V typ).

#### **Pulse-Frequency Modulation Control Scheme**

A unique minimum off time, current-limited, pulse-frequency modulation (PFM) control scheme is a key feature of the MAX756/MAX757. This PFM scheme combines the advantages of pulse-width modulation (PWM) (high output power and efficiency) with those of a traditional PFM pulse-skipper (ultra-low quiescent currents). There is no oscillator; at heavy loads, switching is accomplished through a constant peak-current limit in the switch, which allows the inductor current to self-oscillate between this peak limit and some lesser value. At light loads, switching frequency is governed by a pair of one-shots, which set a minimum off-time (1μs) and a maximum on-time (4μs). The switching frequency depends on the load and the input voltage, and can range as high as 500kHz.

The peak switch current of the internal MOSFET power switch is fixed at 1A ±0.2A. The switch's on resistance is typically 0.5Ω, resulting in a switch voltage drop (V<sub>SW</sub>) of about 500mV under high output loads. The value of V<sub>SW</sub> decreases with light current loads.

Conventional PWM converters generate constant-frequency switching noise, whereas this architecture produces variable-frequency switching noise. However, the noise does not exceed the switch current limit times the filter-capacitor equivalent series resistance (ESR), unlike conventional pulse-skippers.

#### **Voltage Reference**

The precision voltage reference is suitable for driving external loads such as an analog-to-digital converter. It has guaranteed 250μA source-current and 20μA sink-current capability. The reference is kept alive even in shutdown mode. If the reference drives an external load, bypass it with 0.22μF to GND. If the reference is unloaded, bypass it with at least 0.1μF.

#### **Control-Logic Inputs**

The control inputs ( $\overline{3/5}$ ,  $\overline{\text{SHDN}}$ ) are high-impedance MOS gates protected against ESD damage by normally reverse-biased clamp diodes. If these inputs are driven from signal sources that exceed the main supply

voltage, the diode current should be limited by a series resistor (1MΩ suggested). The logic input threshold level is the same (approximately 1V) in both 3.3V and 5V modes. Do not leave the control inputs floating.

### **Design Procedure**

#### **Output Voltage Selection**

The MAX756 output voltage can be selected to 3.3V or 5V under logic control, or it can be left in one mode or the other by tying  $\overline{3/5}$  to GND or OUT. Efficiency varies depending upon the battery and the load, and is typically better than 80% over a 2mA to 200mA load range. The device is internally bootstrapped, with power derived from the output voltage (via OUT). When the output is set at 5V instead of 3.3V, the higher internal supply voltage results in lower switch-transistor on resistance and slightly greater output power. Bootstrapping allows the battery voltage to sag to less than 1V once the system is started. Therefore, the battery voltage range is from V<sub>OUT</sub> + V<sub>D</sub> to less than 1V (where V<sub>D</sub> is the forward drop of the Schottky rectifier). If the battery voltage exceeds the programmed output voltage, the output will follow the battery voltage. In many systems this is acceptable; however, the output voltage must not be forced above 7V.

The output voltage of the MAX757 is set by two resistors, R1 and R2 (Figure 1), which form a voltage divider between the output and the FB pin. The output voltage is set by the equation:

$$V_{\text{OUT}} = (V_{\text{REF}}) [(R2 + R1) / R2]$$

where V<sub>REF</sub> = 1.25V.

To simplify resistor selection:

$$R1 = (R2) [(V_{\text{OUT}} / V_{\text{REF}}) - 1]$$

Since the input bias current at FB has a maximum value of 100nA, large values (10kΩ to 200kΩ) can be used for R1 and R2 with no significant loss of accuracy. For 1% error, the current through R1 should be at least 100 times FB's bias current.

#### **Low-Battery Detection**

The MAX756/MAX757 contain on-chip circuitry for low-battery detection. If the voltage at LBI falls below the regulator's internal reference voltage (1.25V), LBO (an open-drain output) sinks current to GND. The low-battery monitor's threshold is set by two resistors, R3 and R4 (Figure 1), which forms a voltage divider between the input voltage and the LBI pin. The threshold voltage is set by R3 and R4 using the following equation:

$$R3 = [(V_{\text{IN}} / V_{\text{REF}}) - 1] (R4)$$

# MAX756/MAX757

## 3.3V/5V/Adjustable-Output, Step-Up DC-DC Converters

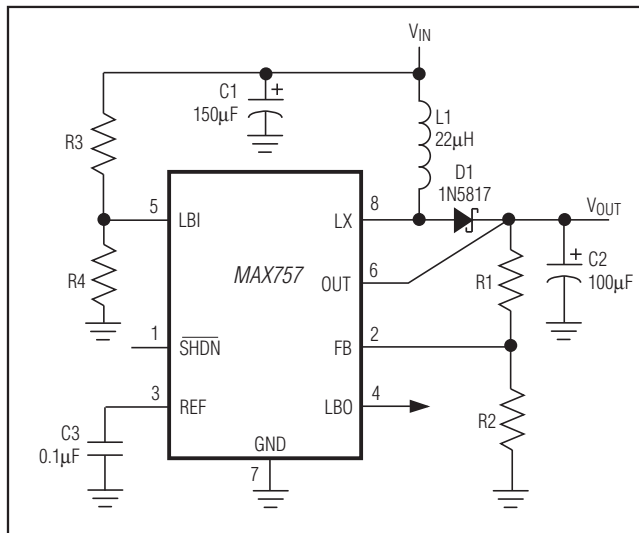


Figure 1. Standard Application Circuit

where  $V_{IN}$  is the desired threshold of the low-battery detector, R3 and R4 are the input divider resistors at LBI, and  $V_{REF}$  is the internal 1.25V reference.

Since the LBI current is less than 100nA, large resistor values (typically 10k $\Omega$  to 200k $\Omega$ ) can be used for R3 and R4 to minimize loading of the input supply.

When the voltage at LBI is below the internal threshold, LBO sinks current to GND. A pull-up resistor of 10k $\Omega$  or more connected from LBO to  $V_{OUT}$  can be used when driving CMOS circuits. Any pull-up resistor connected to LBO should not be returned to a voltage source greater than  $V_{OUT}$ . When LBI is above the threshold, the LBO output is off. The low-battery comparator and reference voltage remain active when the MAX756/MAX757 is in shutdown mode.

If the low-battery comparator is not used, connect LBI to  $V_{IN}$  and leave LBO open.

### Inductor Selection

The inductors should have a saturation (incremental) current rating equal to or greater than the peak switch-current limit, which is 1.2A worst-case. However, it's generally acceptable to bias the inductor into saturation by 20%, although this will reduce the efficiency.

The 22 $\mu$ H inductor shown in the typical applications circuit is sufficient for most MAX756/MAX757 application circuits. Higher input voltages increase the energy transferred with each cycle, due to the reduced input/output differential. Minimize excess ripple due to increased energy transfer by reducing the inductor value (10 $\mu$ H suggested).

The inductor's DC resistance significantly affects efficiency. For highest efficiency, limit L1's DC resistance to 0.03 $\Omega$  or less. See Table 1 for a list of suggested inductor suppliers.

Table 1. Component Suppliers

| PRODUCTION METHOD      | INDUCTORS                                                                            | CAPACITORS                                                                          |
|------------------------|--------------------------------------------------------------------------------------|-------------------------------------------------------------------------------------|
| Surface-Mount          | Sumida<br>CD54-220 (22 $\mu$ H)<br>CoilCraft<br>DT3316-223<br>Coiltronics<br>CTX20-1 | AVX<br>TPS series<br><br>Sprague<br>595D series                                     |
| Miniature Through-Hole | Sumida<br>RCH654-220                                                                 | Sanyo OS-CON<br>OS-CON series<br>low-ESR organic semiconductor                      |
| Low-Cost Through-Hole  | CoilCraft<br>PCH-27-223                                                              | Nichicon<br>PL series<br>low-ESR electrolytic<br><br>United Chemi-Con<br>LXF series |

|                       |                                                                                           |
|-----------------------|-------------------------------------------------------------------------------------------|
| AVX                   | USA: (207) 282-5111, FAX (207) 283-1941<br>(800) 282-9975                                 |
| CoilCraft             | USA: (708) 639-6400, FAX (708) 639-1969                                                   |
| Coiltronics           | USA: (407) 241-7876, FAX (407) 241-9339                                                   |
| Collmer Semiconductor | USA: (214) 233-1589                                                                       |
| Motorola              | USA: (602) 244-3576, FAX (602) 244-4015                                                   |
| Nichicon              | USA: (708) 843-7500, FAX (708) 843-2798<br>Japan: +81-7-5231-8461, FAX (+81-) 7-5256-4158 |
| Nihon                 | USA: (805) 867-2555, FAX (805) 867-2556<br>Japan: +81-3-3494-7411, FAX (+81-) 3-3494-7414 |
| Sanyo OS-CON          | USA: (619) 661-6835<br>Japan: +81-720-70-1005, FAX (+81-720-) 70-1174                     |
| Sprague               | USA: (603) 224-1961, FAX (603) 224-1430                                                   |
| Sumida                | USA: (708) 956-0666<br>Japan: +81-3-3607-5111, FAX (+81-3-) 3607-5428                     |
| United Chemi-Con      | USA: (708) 696-2000, FAX (708) 640-6311                                                   |

### Capacitor Selection

A 100 $\mu$ F, 10V surface-mount (SMT) tantalum capacitor typically provides 50mV output ripple when stepping up from 2V to 5V at 200mA. Smaller capacitors, down to 10 $\mu$ F, are acceptable for light loads or in applications that can tolerate higher output ripple.



# MAX756/MAX757

## 3.3V/5V/Adjustable-Output, Step-Up DC-DC Converters

### Rectifier Diode

The ESR of both bypass and filter capacitors affects efficiency. Best performance is obtained by using specialized low-ESR capacitors, or connecting two or more filter capacitors in parallel. The smallest low-ESR SMT tantalum capacitors currently available are Sprague 595D series, which are about half the size of competing products. Sanyo OS-CON organic semiconductor through-hole capacitors also exhibit very low ESR, and are especially useful for operation at cold temperatures. Table 1 lists suggested capacitor suppliers.

For optimum performance, a switching Schottky diode, such as the 1N5817, is recommended. 1N5817 equivalent diodes are also available in surface-mount packages from Collmer Semiconductor in Dallas, TX, phone (214) 233-1589. The part numbers are SE014 or SE024. For low output power applications, a pn junction switching diode, such as the 1N4148, will also work well, although efficiency will suffer due to the greater forward voltage drop of the pn junction diode.

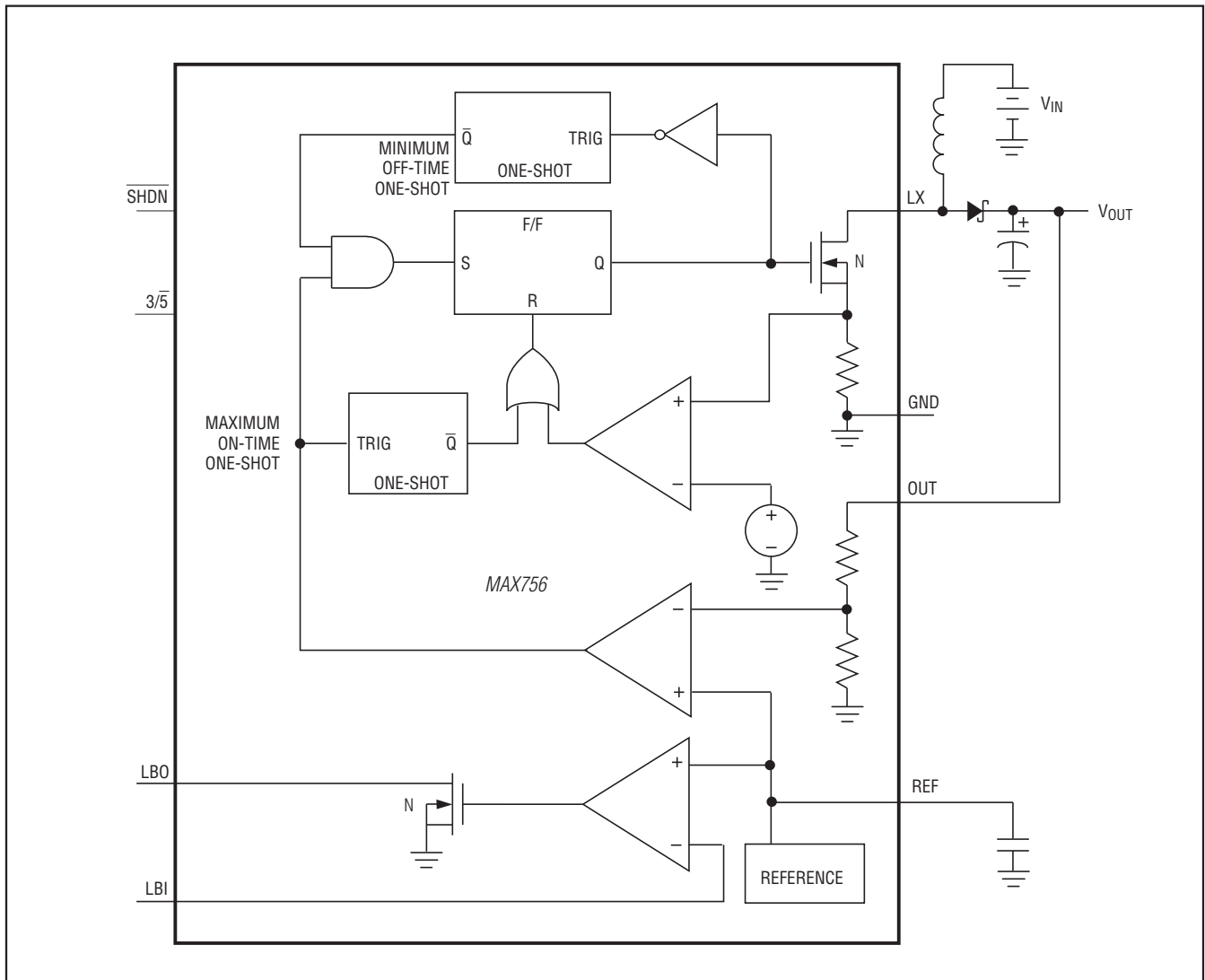


Figure 2. MAX756 Block Diagram

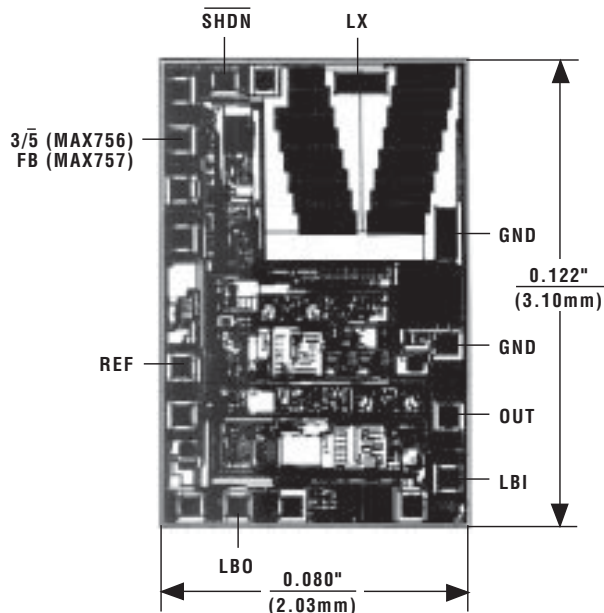
# MAX756/MAX757

## 3.3V/5V/Adjustable-Output, Step-Up DC-DC Converters

### PC Layout and Grounding

The MAX756/MAX757 high peak currents and high-frequency operation make PC layout important for minimizing ground bounce and noise. The distance between the MAX756/MAX757's GND pin and the ground leads of C1 and C2 in Figure 1 must be kept to less than 0.2" (5mm). All connections to the FB and LX pins should also be kept as short as possible. To obtain maximum output power and efficiency and minimum output ripple voltage, use a ground plane and solder the MAX756/MAX757 GND (pin 7) directly to the ground plane.

### Chip Topography



TRANSISTOR COUNT: 758  
SUBSTRATE CONNECTED TO OUT

### Package Information

| DIM | INCHES    |       | MILLIMETERS |      |
|-----|-----------|-------|-------------|------|
|     | MIN       | MAX   | MIN         | MAX  |
| A   | 0.053     | 0.069 | 1.35        | 1.75 |
| A1  | 0.004     | 0.010 | 0.10        | 0.25 |
| B   | 0.014     | 0.019 | 0.35        | 0.49 |
| C   | 0.007     | 0.010 | 0.19        | 0.25 |
| D   | 0.189     | 0.197 | 4.80        | 5.00 |
| E   | 0.150     | 0.157 | 3.80        | 4.00 |
| e   | 0.050 BSC |       | 1.27 BSC    |      |
| H   | 0.228     | 0.244 | 5.80        | 6.20 |
| h   | 0.010     | 0.020 | 0.25        | 0.50 |
| L   | 0.016     | 0.050 | 0.40        | 1.27 |
| α   | 0°        | 8°    | 0°          | 8°   |

21-325A

**8-PIN PLASTIC  
SMALL-OUTLINE  
PACKAGE**



# **MAX756/MAX757**

## **3.3V/5V/Adjustable-Output, Step-Up DC-DC Converters**



*Maxim cannot assume responsibility for use of any circuitry other than circuitry entirely embodied in a Maxim product. No circuit patent licenses are implied. Maxim reserves the right to change the circuitry and specifications without notice at any time. The parametric values (min and max limits) shown in the Electrical Characteristics table are guaranteed. Other parametric values quoted in this data sheet are provided for guidance.*

**Maxim Integrated 160 Rio Robles, San Jose, CA 95134 USA 1-408-601-1000**

**9**