

STEGOJET

SJ 019



- > Prevents heat pockets
- > Wide voltage range
- > Compact design

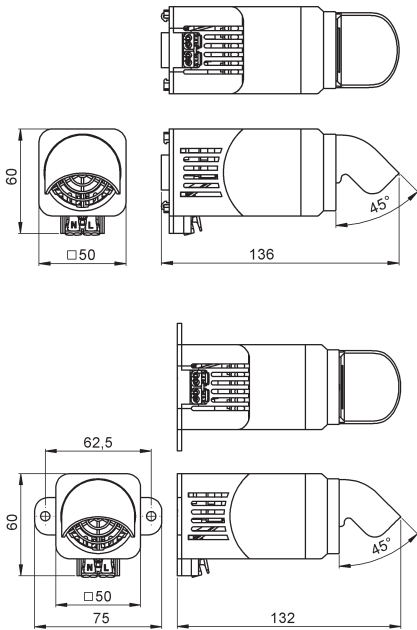
- > Quick connection
- > Clip or screw fixing

The STEGOJET is a compact, powerful built-in-fan. It allows precise cooling of heat sources and the air flow prevents formation of heat pockets. Its design offers a maximum rotation range with an air output in almost any direction. On one hand the dual clip system (two clips in a 90° angle) allows four different positions on a DIN rail, while on the other hand the hinge in the housing can be moved in a 40° angle. The airflow at the air outlet can also be directed in a 45° angle and the air duct can be turned 360°.

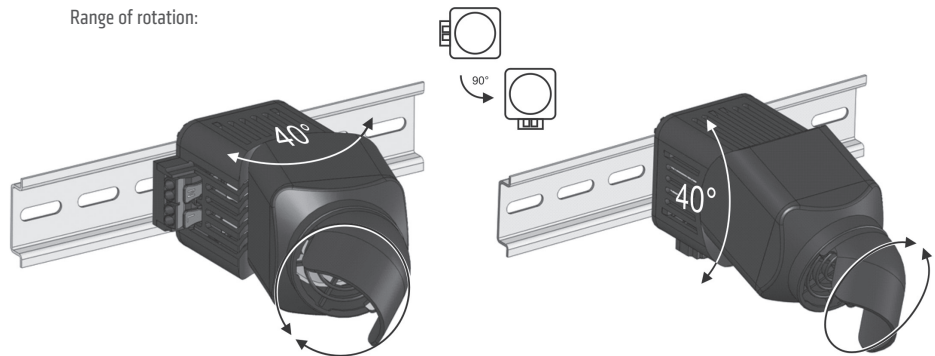


TECHNICAL DATA

Axial fan, ball bearing	air flow 27.6m ³ /h, free flow service life 40,000h at +60°C (+140°F), 90% RH
Power consumption	4W
Connection	2-pole dual pressure clamp for rigid wire 2.5mm ² , stranded wire (with wire end ferrule) 1.5mm ²
Casing	plastic according UL94 V-0, black
Mounting	clip for 35mm DIN rail, EN 60715 or screw fixing (M5), torque 2Nm max., washers have to be used
Fitting position	variable
Dimensions	132 x 75 x 60mm
Weight	approx. 0.2kg
Operating/Storage temperature	-10 to +60°C (+14 to +140°F)/-30 to +70°C (-22 to +158°F)
Operating/Storage humidity	max. 90% RH (non-condensing)
Protection type/Protection class	IP20 / II (double insulated)
Approvals	VDE + UL intended



Range of rotation:



Art. No.	Model	Operating voltage
01925.0-00	Clip fixing	100-240VAC, 50/60Hz (min. 90VAC, max. 265VAC)
01925.0-01	Screw fixing	100-240VAC, 50/60Hz (min. 90VAC, max. 265VAC)