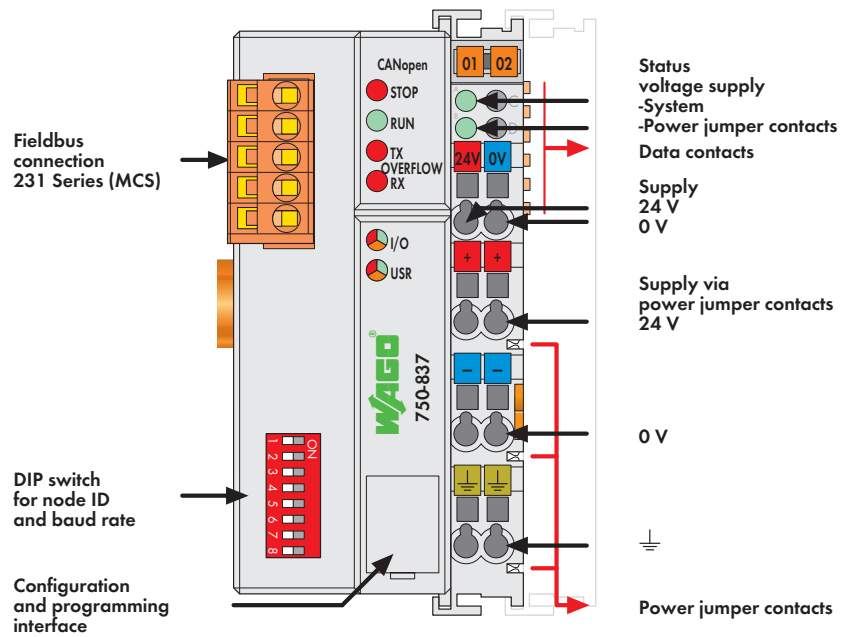


PLC - CANopen Programmable Fieldbus Controller, MCS

16-bit CPU



The CANopen PLC combines control functionality, I/O interface and fieldbus in one device.

Programming of the application is done in accordance with IEC 61131-3. The programmer can access all fieldbus and I/O data.

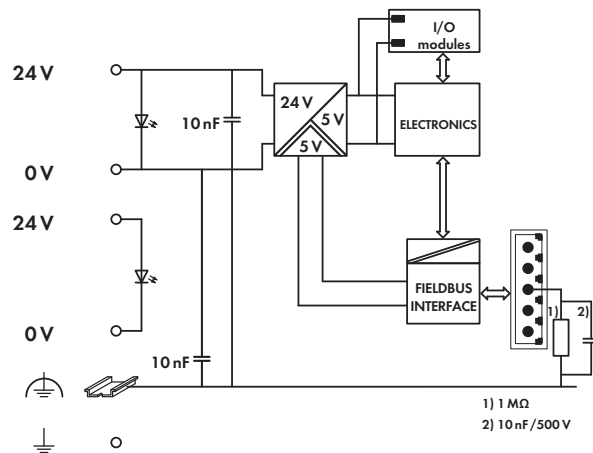
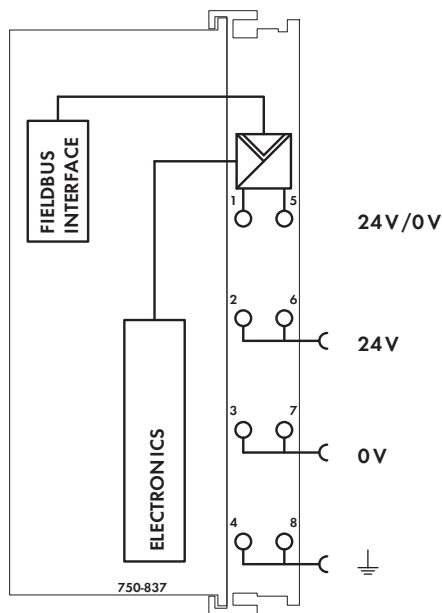
Features and applications:

- Use of decentralized control can better support a PLC or PC
- Complex applications can be divided into individually testable units
- Programmable fault response in the event of a fieldbus failure
- Signal pre-processing reduces fieldbus transmissions
- Peripheral equipment can be controlled directly, resulting in faster system response times
- Stand-alone, compact controller

Notice: EDS files required

Description	Item No.	Pack. Unit
<b>CANopen Controller MCS</b>	<b>750-837</b>	1
<b>CANopen Controller MCS</b>	<b>750-837/020-000</b>	1
Program memory 256 Kbytes; Data memory 192 Kbytes		
<b>CANopen Controller MCS</b>	<b>750-837/021-000</b>	1
Program memory 640 Kbytes; Data memory 832 Kbytes		
Accessories	Item No.	Pack. Unit
<b>EDS files</b> Download: <a href="http://www.wago.com">www.wago.com</a>		
<b>WAGO-I/O-PRO V2.3, RS-232 kit</b>	<b>759-333</b>	1
<b>Miniature WSB Quick marking system</b>		
plain	<b>248-501</b>	5
with marking	see Section 11	
Approvals		
Conformity marking	CE	
Korea Certification	K	
Marine applications (versions upon request)	ABS, BV, DNV, GL, KR, LR, NKK, PRS, RINA	
UL 508		
ANSI/ISA 12.12.01	Class I, Div. 2, Grp. ABCD, T4	
TÜV 12.1297 X (Brasilien)	Ex nA IIC T4 Gc	
TÜV 07 ATEX 554086 X	I M2 Ex d I Mb, II 3 G Ex nA IIC T4 Gc, II 3 D Ex tc IIIC T135°C Dc	
Permissible ambient temperature	0 °C ... +60 °C	
IECEx TUN 09.0001 X	Ex d I Mb, Ex nA IIC T4 Gc, Ex tc IIIC T135°C Dc	
Permissible ambient temperature	0 °C ... +60 °C	

System Data	
No. of controllers connected to Master	110
Transmission medium	Shielded Cu cable 3 x 0.25 mm <sup>2</sup>
Max. length of bus line	30 m ... 1000 m (depends on baud rate/cable)
Baud rate	10 Kbaud ... 1 Mbaud
Buscoupler connection	5-pole male connector, 231 Series (MCS), female connector 231-305/ 010-000 (included)
Programming	WAGO-I/O-PRO 32, from firmware version SW 11, also programmable with WAGO- I/O-PRO V2.3
IEC 61131-3	IL, LD, FBD (CFC), ST, FC



Technical Data		General Specifications	
Number of I/O modules	64	Operating temperature	0 °C ... +55 °C
Max. input process image	512 bytes	Wire connection	CAGE CLAMP <sup>®</sup>
Max. output process image	512 bytes	Cross sections	0.08 mm <sup>2</sup> ... 2.5 mm <sup>2</sup> / AWG 28 ... 14
Max. input variables	512 bytes	Strip lengths	8 ... 9 mm / 0.33 in
Max. output variables	512 bytes	Dimensions (mm) W x H x L	51 x 65 x 100
Configuration	automatic		Height from upper-edge of DIN 35 rail
Program memory	128 Kbytes	Weight	200 g
Data memory	64 Kbytes	Storage temperature	-25 °C ... +85 °C
Non-volatile memory (retain)	8 Kbytes	Relative air humidity (no condensation)	95 %
Cycle time	< 3 ms for 1,000 statements / 256 dig. I/Os	Vibration resistance	acc. to IEC 60068-2-6
No. of PDOs	32 Tx / 32 Rx	Shock resistance	acc. to IEC 60068-2-27
No. of SDOs	2 server SDOs / 16 client SDOs	Degree of protection	IP20
Communication profile	DS-301 V4.01	EMC immunity of interference	acc. to EN 61000-6-2, marine applications
Device profile	DS-401 V 2.0	EMC emission of interference	acc. to EN 61000-6-4, marine applications
	Marginal check		
	Edge-triggered PDOs		
	Programmable error response		
	DSP 405		
	using function blocks NMT master can be programmed		
COB ID distribution	SDO, standard		
Node ID distribution	DIP switches		
Other CANopen features	NMT slave		
	Minimum boot-up		
	Variable PDO mapping		
	Emergency message		
	Life guarding / heartbeat		
	Configuration of virtual modules		
Power supply	24 V DC (-25 % ... +30 %)		
Max. input current (24 V)	500 mA		
Power supply efficiency	87 %		
Internal current consumption (5 V)	350 mA		
Total current for I/O modules (5 V)	1650 mA		
Isolation	500V system/supply		
Voltage via power jumper contacts	24 V DC (-25 % ... +30 %)		
Current via power jumper contacts (max.)	10 A DC		