

## Tyra2 reflector series for Cree MPL series of LEDs



- Specially designed for XLamp MP-L EasyWhite series of LEDs.
- Special care taken to make a uniform visually pleasing illumination.
- Compact dimensions and easy mounting with positioning pins and good automotive quality adhesive tape.
- We advise customer to ensure the suitability and sufficiency of the bond in the end product. For example, mechanical stress, vibration and holes on the surface of the circuit board weaken the strength of the tape.
- Reflector is made of aluminum coated PC (120°C/248F) with protective laquer (110°C/230F)
- Please check fastening details from this link:  
([http://www.ledil.com/datasheets/DataSheet\\_TAPE.pdf](http://www.ledil.com/datasheets/DataSheet_TAPE.pdf))

### LENS TYPE

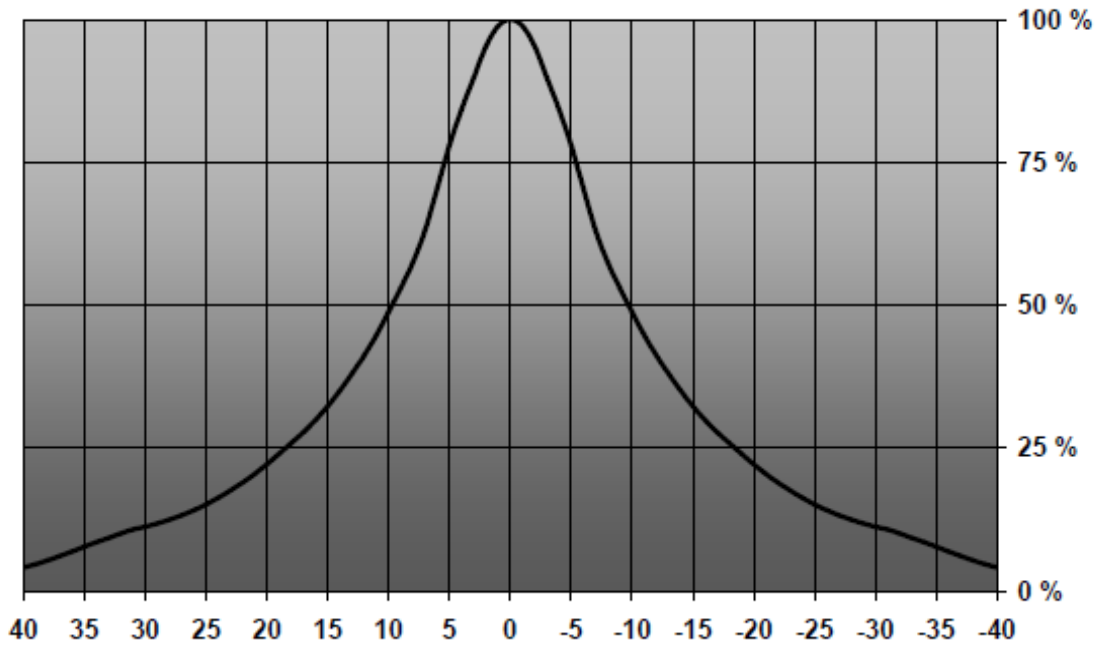
NAME	ORDERING CODE	FWHM Angle
Tyra2 Spot	CA11475_Tyra2-S-tape	±10°
Tyra2 Medium	CA11476_Tyra2-M-tape	±16°
Tyra2 Wide	CA11477_Tyra2-W-tape	±26°

EULUMDAT & IES FILES AVAILABLE BY REQUEST

© Ledil Oy – PRELIMINARY - Subject to change without prior notice

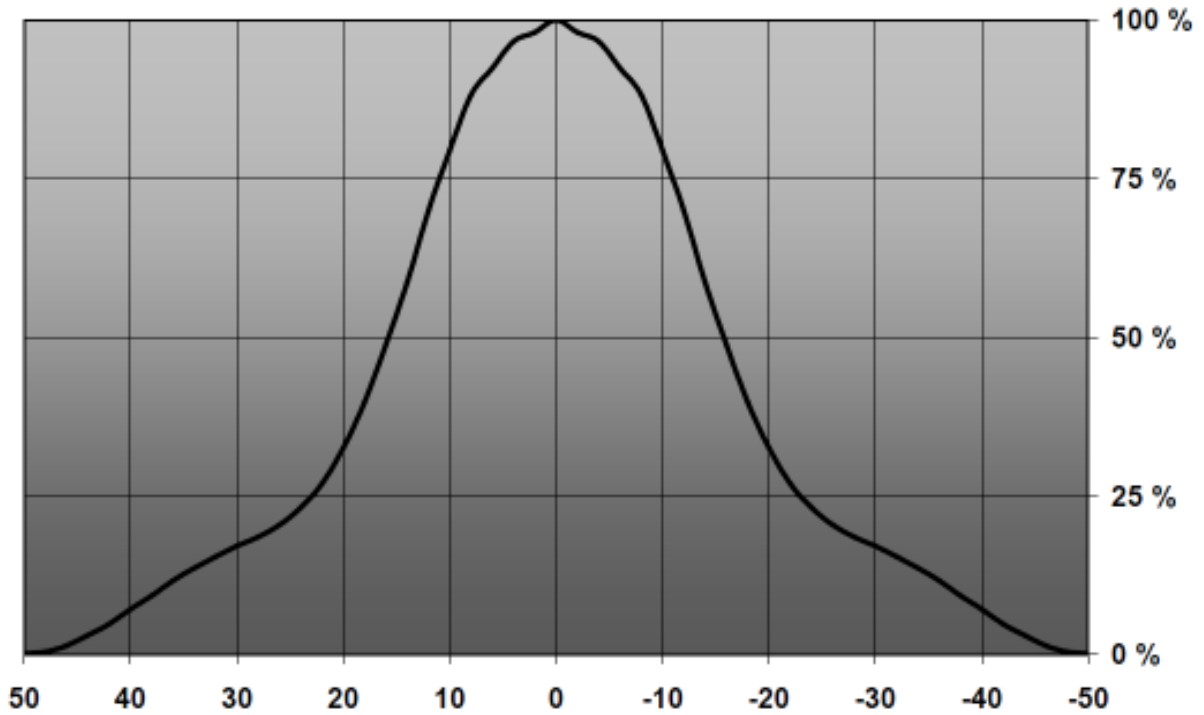
## MEASUREMENTS

Relative Intensity of CA11475\_Tyra2-S-tape



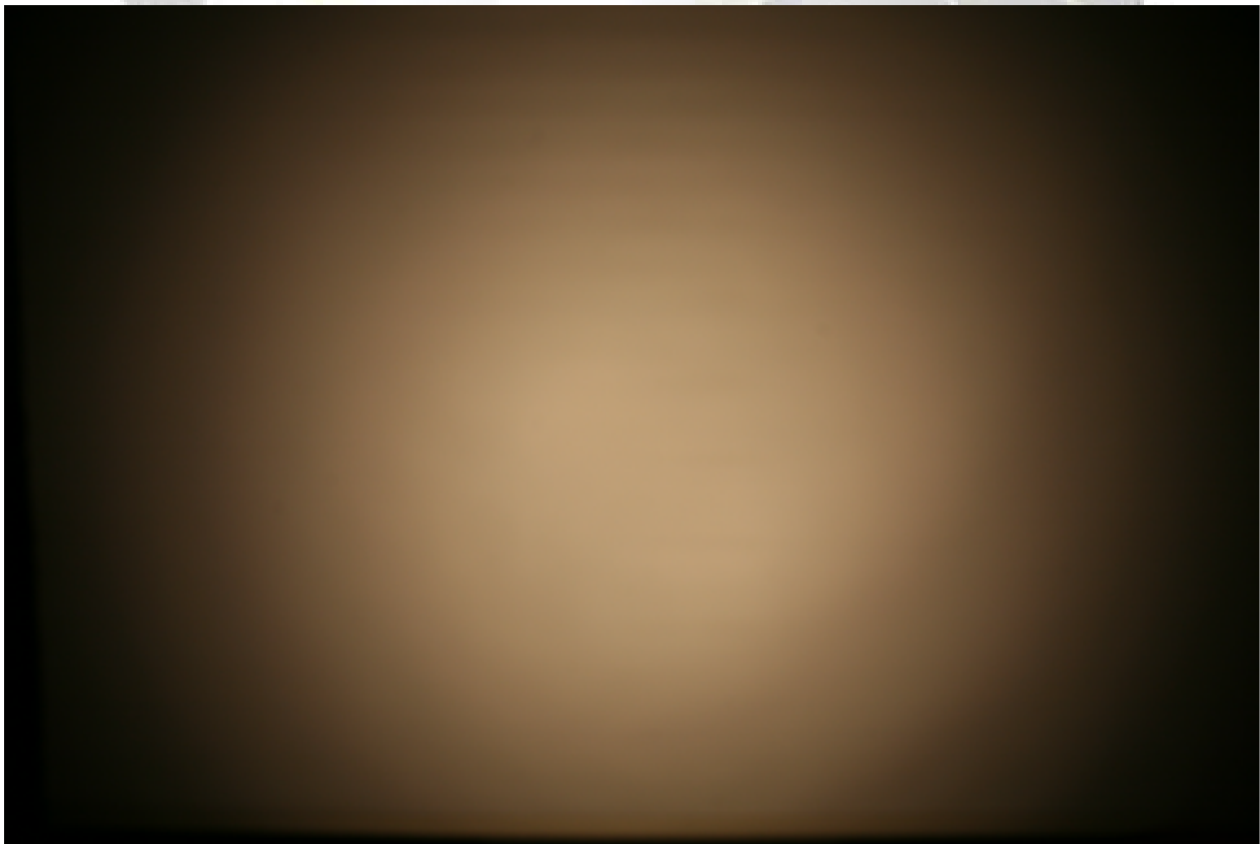
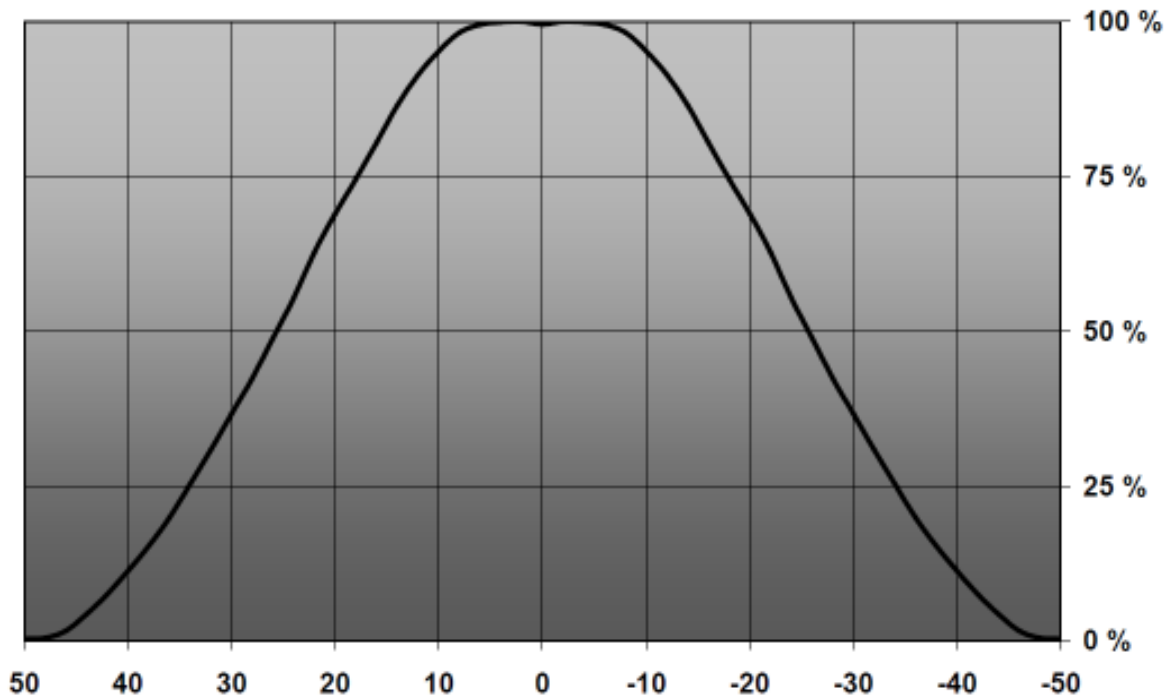
© Ledil Oy – PRELIMINARY - Subject to change without prior notice

Relative Intensity of CA11476\_Tyra2-M-tape



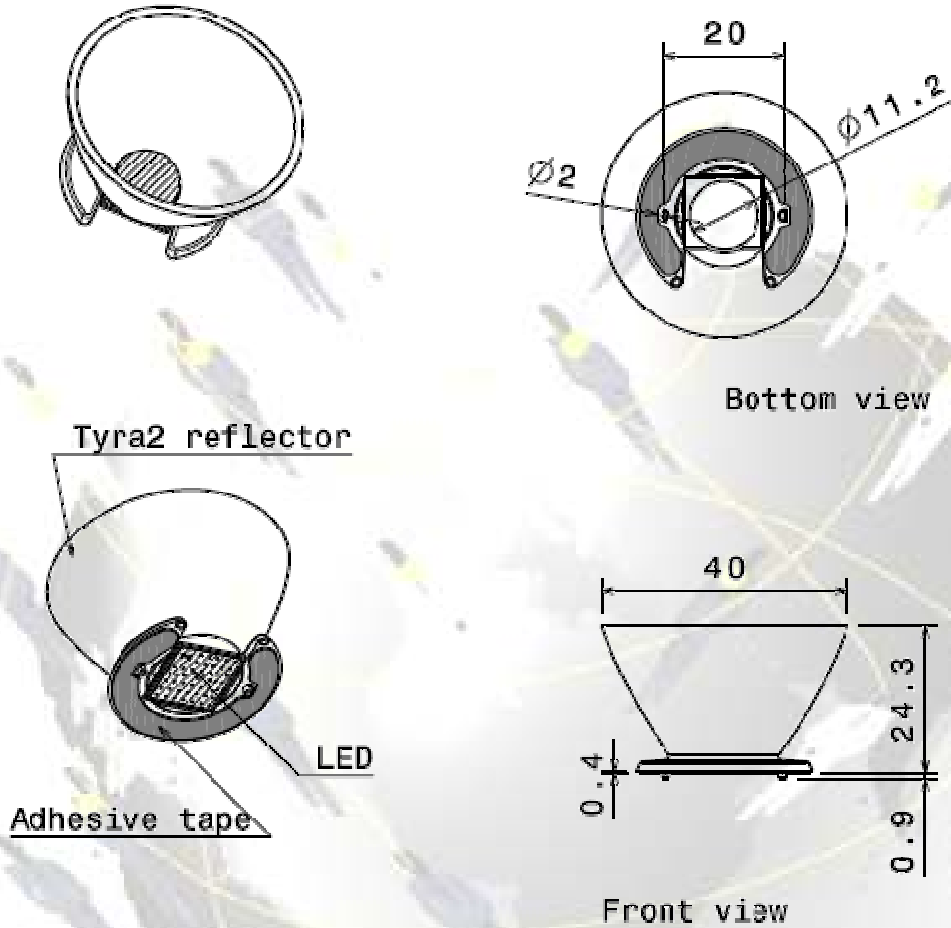
© Ledil Oy – PRELIMINARY - Subject to change without prior notice

Relative Intensity of CA11477\_Tyra2-W-tape



© Ledil Oy – PRELIMINARY - Subject to change without prior notice

## DRAWINGS



Material: PC  
Metal coating with laquering

This drawing is our property.  
It can't be reproduced  
or communicated without  
our written agreement.



Ledil Oy  
Tehdaskatu 13  
FIN-24100 SALO  
Finland

DRAWING TITLE

Datasheet Tyra2 series

DRAWN BY ol	DATE 08.04.2010	DRAWING TITLE		REV
CHECKED BY sn	DATE 08.04.2010	SIZE A4	DRAWING NUMBER	1
DESIGNED BY ol	DATE 08.04.2010	SCALE 2:1	WEIGHT(g)	SHEET 1/1

© Ledil Oy - PRELIMINARY - Subject to change without prior notice