

**PLEASE CHECK WWW.MOLEX.COM FOR LATEST PART INFORMATION**

**Part Number:** [501190-4027](#)  
**Status:** **Active**  
**Overview:** [Pico-Clasp™](#)  
**Description:** 1.00mm Pitch Pico-Clasp™ Wire-to-Board PCB Header, Dual Row, Vertical, 40 Circuits, Lead-Free, without Pick-and-Place Tape

**Documents:**

[3D Model](#) [Product Specification PS-501190-004 \(PDF\)](#)  
[Drawing \(PDF\)](#) [RoHS Certificate of Compliance \(PDF\)](#)  
[Product Specification PS-501190-001 \(PDF\)](#)

**General**

Product Family	PCB Headers
Series	<a href="#">501190</a>
Application	Signal, Wire-to-Board
Comments	Without Pick-and-Place Tape
Overview	<a href="#">Pico-Clasp™</a>
Product Name	Pico-Clasp™

**Physical**

Breakaway	No
Circuits (Loaded)	40
Color - Resin	Natural
Durability (mating cycles max)	30
Glow-Wire Compliant	No
Lock to Mating Part	Yes
Material - Metal	Phosphor Bronze
Material - Plating Mating	Gold
Material - Plating Termination	Gold
Material - Resin	Nylon
Number of Rows	2
Orientation	Vertical
PCB Locator	No
PCB Retention	Yes
Packaging Type	Embossed Tape on Reel
Pitch - Mating Interface	1.00mm
Polarized to Mating Part	Yes
Polarized to PCB	Yes
Robotic Placement	Vacuum Pick-Up Tape
Stackable	No
Temperature Range - Operating	-40°C to +85°C
Termination Interface: Style	Surface Mount

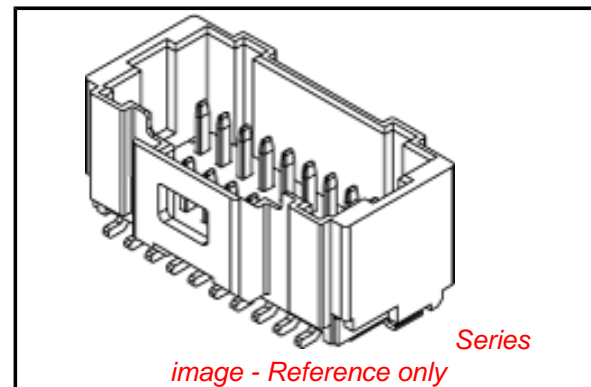
**Electrical**

Current - Maximum per Contact	1A
Voltage - Maximum	50V

**Material Info**

**Reference - Drawing Numbers**

Product Specification	PS-501190-001, PS-501190-004, RPS-501190-001, RPS-501190-008, RPS-501190-010, RPS-501190-011, RPS-501331-001
Sales Drawing	SD-501190-003, SD-501190-004



**EU RoHS**

**ELV and RoHS Compliant**  
**REACH SVHC**  
**Contains SVHC: No**  
**Low-Halogen Status**  
**Not Low-Halogen**

**China RoHS**



**Need more information on product environmental compliance?**

Email [productcompliance@molex.com](mailto:productcompliance@molex.com)  
 For a multiple part number RoHS Certificate of Compliance, [click here](#)

Please visit the [Contact Us](#) section for any non-product compliance questions.

**Search Parts in this Series**

[501190Series](#)

**Mates With**

[501189 Pico-Clasp™ Wire-to-Board Female Housing](#)

This document was generated on 03/29/2012

**PLEASE CHECK [WWW.MOLEX.COM](http://WWW.MOLEX.COM) FOR LATEST PART INFORMATION**