

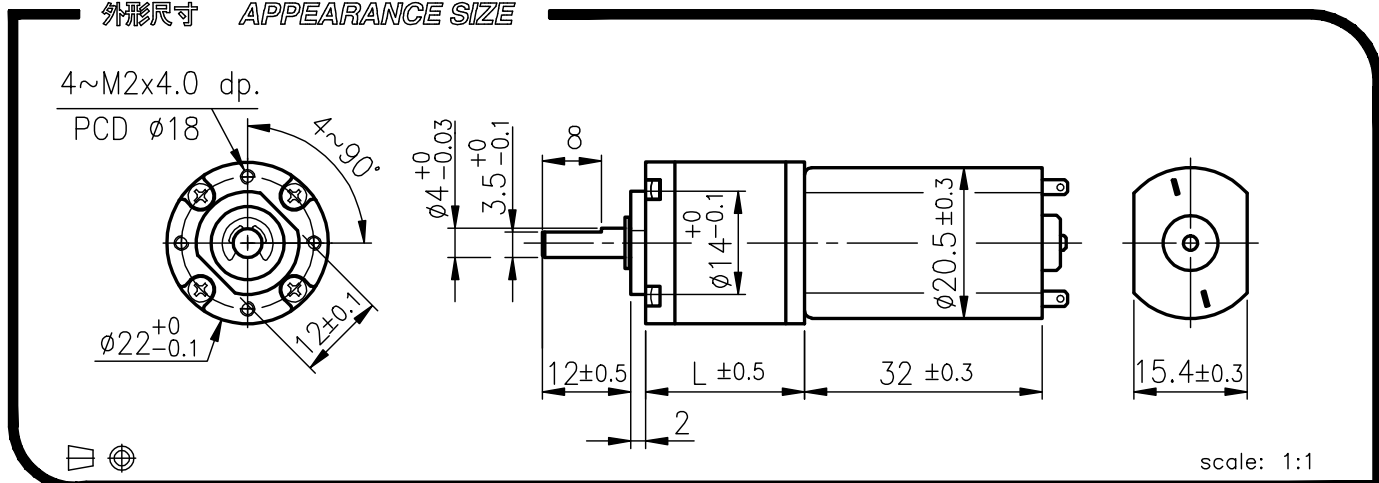
# IG-22GM

## 01&02 TYPE



REDUCTION RATIO	L	REDUCTION RATIO	L
1/4	14.40	1/198~1/455	25.35
1/14~1/19	18.05	1/742~1/1996	29.00
1/53~1/104	21.70		

外形尺寸 APPEARANCE SIZE



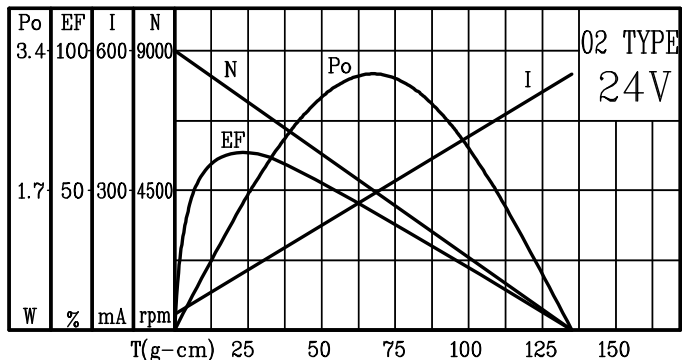
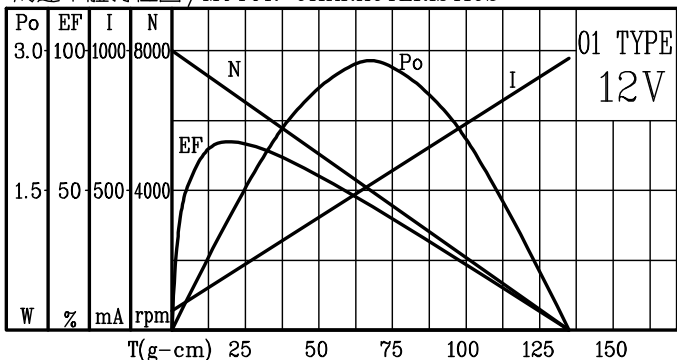
GEARED MOTOR TORQUE/SPEED

減速比 Reduction ratio	1/4	1/14	1/16	1/19	1/53	1/62	1/72	1/84	1/104	1/198	1/231	1/270	1/316	1/370	1/455	1/742	1/1014	1/1249	1/1621	1/1996
12V 定格扭力(g-cm) Rated torque	77	215	250	295	695	810	950	1100	1370	2100	2500	2500	2500	2500	2500	3000	3000	3000	3000	3000
12V 定格回轉數(rpm) Rated speed	1497	470	407	348	127	109	93	79	64	34	29	25	22	19	15.5	9.5	7.4	6.0	4.6	3.8
24V 定格扭力(g-cm) Rated torque	77	215	250	295	695	810	950	1100	1370	2100	2500	2500	2500	2500	2500	3000	3000	3000	3000	3000
24V 定格回轉數(rpm) Rated speed	1650	518	450	384	140	120	103	88	71	37	32	28	23.5	21	17.5	10.5	8.0	6.6	5.0	4.2

馬達單體型式 / MOTOR DATA

定格電壓 Rated volt (V)	定格扭力 Rated torque (g-cm)	定格回轉數 Rated speed (rpm)	定格電流 Rated current (mA)	無負荷回轉數 No load speed (rpm)	無負荷電流 No load current (mA)	定格出力 Rated output (W)	重量 Weight (g)
12	22	6700	≤ 200	8000	≤ 70	1.5	32.0
24	22	7400	≤ 110	9000	≤ 40	1.7	32.0

馬達單體特性圖 / MOTOR CHARACTERISTICS



# Mouser Electronics

Authorized Distributor

Click to View Pricing, Inventory, Delivery & Lifecycle Information:

Digilent:

[240-007P](#) [240-006P](#) [290-006P](#) [290-006](#)