

Diamond® Construction Hardware

Lashed Cable Supports



Lashed Cable Supports



- Used to strap coaxial and telephone cable to strand.
- Available in 430 stainless steel or special zinc alloy in 3/4" width.
- Edges are processed to remove raised and projecting metal. Edges are smooth and free from burrs.

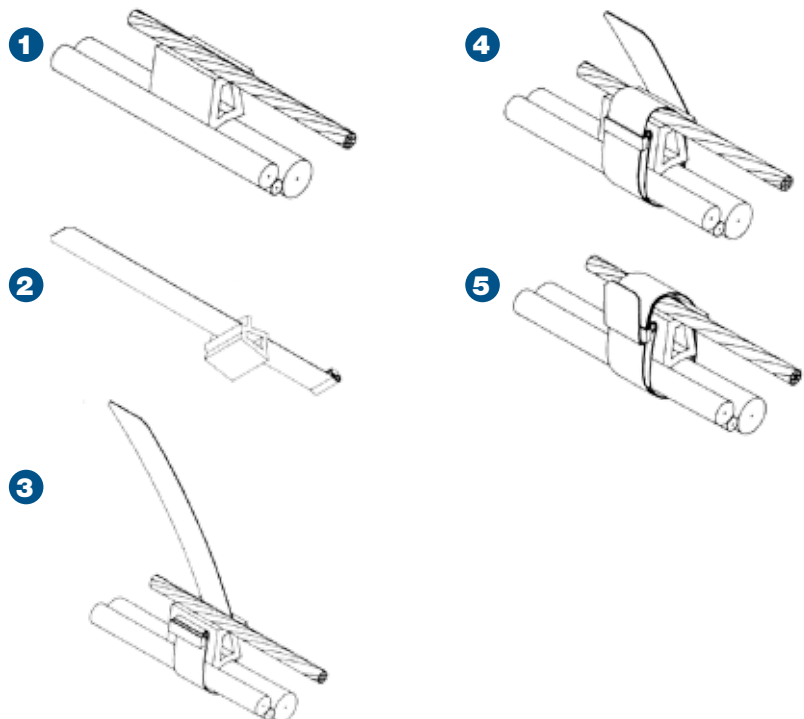
Part Number		Length	Diameter	Bundle Circumference	Inner Pack	Outer Pack
Zinc	Stainless Steel					
34-08911	34-08912	10"	1.2"	3.8"	--	500
34-08921	34-08922	16"	2"	6.3"	--	500
34-08931	34-08932	22"	3"	9.4"	--	300
34-08941	34-08942	28"	4"	12.6"	--	300
34-08951	34-08952	34"	5"	15.7"	--	300
*	34-08956	45"	6.5"	20.4"	--	200
34-08961	*	50"	7.5"	23.6"	--	200
*	34-08972	66"	10.0"	31.4"	--	200
*	3408972-SP	66"	10.0"	31.4"	--	200

Installation:

1. Measure diameter or circumference of bundle. Use table to determine strap length.
2. Thread strap through spacer slot.
3. Wrap strap around bundle (strand, spacer, cables) then through buckle twice, pulling each wrap tight.
4. Strap end should be doubled under itself (about 1.5") before making final pass through buckle. Trim off excess.
5. Bend doubled thickness over top of buckle to prevent unravelling.

Note:

In cable TV installation, straps should not be too tight as they may restrict cable movement during contraction and expansion and possibly damage cable.



* Ask PPC/Belden Representative.

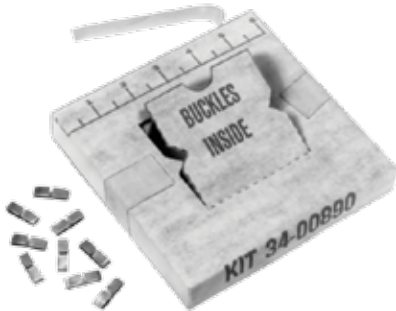


Diamond® Construction Hardware

Lashed Cable Supports



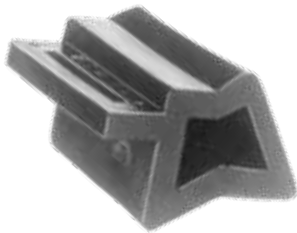
Lashed Cable Support Kit



- Used to strap coaxial or telephone cable to strand.
- Kit contains 100 ft. 430 stainless steel strapping and 75 steel buckles.
- Kit makes 75 straps 16" average length.
- Cut to desired length and secure to buckle.

Part Number	Description	Inner Pack	Outer Pack
34-00890	3/4" Wide Stainless Steel Strap with 75 Buckles	1	10

Plastic Cable Spacer



- High density outdoor polyethylene with U.V. inhibitors.
- Bell type.
- Provides separation between aerial cable and messenger.

Part Number	Description	Inner Pack	Outer Pack
34-08850	1/2" Plastic Spacer	100	1,000
34-08875	3/4" Plastic Spacer	100	1,000

Support Strap



- Reusable support strap with integral buckle made of malleable aluminum fire retardant. Used to bundle telephone, coaxial and fiber cable at the steel strand.
- Safe to use, no sharp edges to cut hands or cables.

Part Number	Description	Inner Pack	Outer Pack
SC05-1	10" Long, 3/4" Band	--	500
SC06-1	16" Long, 3/4" Band	--	500

Diamond® Construction Hardware

Clamps



Lashing Clamps



- Used to secure lashing wire terminations.
- Mechanically galvanized ASTM B695.
- 1/4" - 7/16" clamp range.

Part Number	Description	Inner Pack	Outer Pack
SC07-1	Lashing Clamp	--	100
26-09010	"D" Lashing Clamp	--	100
26-09010NS	"D" Lashing Clamp no stakes	--	100
26-09020	"E" Lashing Clamp	--	100
26-09022	"E" Lashing Clamp with 2 Washers, 2 Nuts	--	100

Figure 8 Three Bolt Suspension Clamps



- Used to secure Figure 8 cable to pole.
- Center hole accommodates 1/2" or 5/8" diameter machine bolt.
- Clamp plates aluminum alloy.
- Steel bolts mechanically galvanized ASTM B695.
- Eliminates need to strip messenger.

Part Number	Description	Messenger Size Range	Inner Pack	Outer Pack
28-09610	Figure 8 Three Bolt Suspension Clamp	.109" - .134"	--	25
28-09615	Figure 8 Three Bolt Suspension Clamp	.148" - .250"	--	20

Figure 8 Tangent Support Clamps



- Used to secure Figure 8 cable to pole.
- Clamp plates and J Hook aluminum alloy.
- Eliminates need to strip messenger.

Part Number	Description	Thru Bolt Hole Size	Messenger Size Range	Inner Pack	Outer Pack
28-09500	Tangent Support Clamp	5/8"	.148"-.250"	--	25
28-09600	Tangent Support Clamp	1/2"	.109"-.134"	--	25
28-19651	Tangent Support Clamp	5/8"	.109"-.134"	--	25



Diamond® Construction Hardware

Hangers, Brackets, Hooks



Fiber Optic Rack Hanger



- Secures F.O. storage devices (snow shoes) to strand.
- For 1/4" - 7/16" strand.
- Aluminum bracket.
- Steel ASTM B695 clamp plates.

Part Number	Description	Inner Pack	Outer Pack
29-19945	Fiber Optic Rack Hanger	--	25

Dead-End Bracket



- Dead-end bracket used to apply tension to steel strand building riser and to provide a means to dead-end a guy strand.
- Mechanically galvanized ASTM B695.
- 1,000 lb. load capacity.

Part Number	Description	Inner Pack	Outer Pack
SC44-1	5/16" Diameter Hook with 2-3/4" Tension Adjustment	--	25

Drive Hooks



- Used to support bail-type drop wire clamps to poles.
- Galvanized to ASTM A153 or B695.
- Fetter drive threads.

Part Number	Description	Inner Pack	Outer Pack
40-43007	7/16" Diameter x 4-3/4" Long	--	100
40-43008	5/16" Diameter x 3-1/2" Long	--	200

Square Washer



- Supports bolt head or nut of machine bolt.
- Mechanically galvanized ASTM B695.

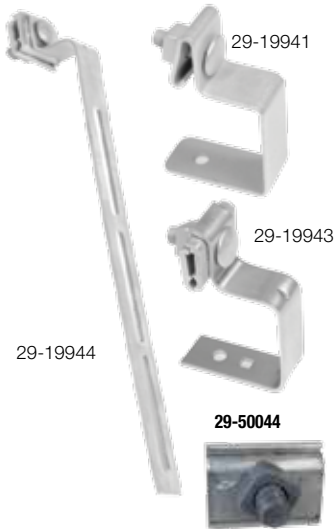
Part Number	Description	Inner Pack	Outer Pack
28-03004	5/8" Bolt Size x 2-1/4" Square x 3/16" Thickness	--	100

Diamond® Construction Hardware

Tap Brackets



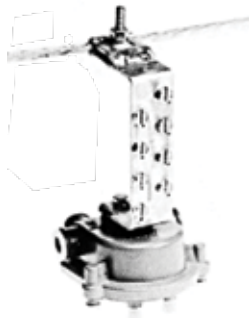
Tap Brackets



- Used to secure tap to strand.
- One piece steel snap-on version mechanically galvanized ASTM B695 for 1/4" strand only.
- Aluminum standard tap bracket & extension bracket. Both have 1/4" to 3/8" strand clamping range.
- Square hole in standard aluminum tap bracket mounts Diamond trap sleeve brackets ("W"brackets).

Part Number	Description	Clearance Between Strand & Tap	Load Capacity (lbs) (Minimal Deflection)	Inner Pack	Outer Pack
29-19941	Steel Snap-on Tap Bracket	2-1/2"	40	--	25
29-19943	Aluminum Tap Bracket (Standard)	2-1/2"	30	--	25
29-19944	Aluminum Extension Bracket	3" to 9"	25	--	25
29-50044	Strand Clamp	--	--	--	75

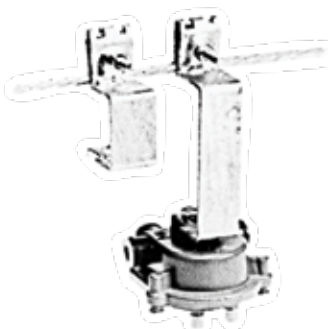
Tap Bracket with Common Ground



- Tap bracket used to secure a tap to the steel strand and provide a means to bond up to eight messengered drop cables.
- Firm and positive grip with no rotation or sliding on steel strand.
- Mechanically galvanized ASTM B695.

Part Number	Description	Inner Pack	Outer Pack
SC23CGS-4	4" Horizontal Mounting with 8 Common Grounds	--	32

Tap Bracket - Vertical Mount



- Tap bracket used to secure a tap to the steel strand.
- Firm and positive grip with no rotation or sliding on steel strand.
- Stopper at multi-tap attachment prevents part rotation.
- Mechanically galvanized ASTM B695.

Part Number	Description	Inner Pack	Outer Pack
SC23PV-2	2" Vertical Mount (Figure 8 Application)	--	32
SC23PV-4	4" Vertical Mount (Figure 8 Application)	--	32



Diamond® Construction Hardware

Tap Brackets, Support Brackets



Tap Bracket - Horizontal Mount



- Tap bracket used to secure a tap to the steel strand.
- Firm and positive grip with no rotation or sliding on steel strand.
- Stopper at multi-tap attachment.
- Mechanically galvanized ASTM B695.

Part Number	Description	Inner Pack	Outer Pack
SC23PS-2	2" Horizontal Mount	--	32
SC23PS-3	3" Horizontal Mount	--	32
SC23PS-4	4" Horizontal Mount	--	32
SC23PS4-C	4" Horizontal Mount - Canada	--	32

Strand Hanger Support Bracket



- Used in mid-span or next to tap application.
- In high risk theft areas, makes it more difficult to tamper with the traps.
- Support up to 4 trap shields (up to 16 traps).
- Mechanically galvanized ASTM B695.
- Can also be supplied with a coated top shield aluminum bracket.

Part Number	Description	Inner Pack	Outer Pack
SC73-1F	Strand Hanger Support Bracket	--	32

Diamond® Construction Hardware

Aerial Cable Damper



Aerial Cable Damper



- Aluminum alloy.
- Designed to use the force of wind to aerodynamically reduce oscillation of cable.
- Supplied with special heavy duty lashed cable supports and “D” lashing clamps to secure to strand.
- Assembly instructions provided.

Part Number	Description	Inner Pack	Outer Pack
28-80001	Aerial Cable Damper	--	5

Installation:

1. Select proper size cable guard for application.
2. Place guard on cable over horizontal slots in Aerial Cable Damper (ACD).
3. Insert lashed cable supports through horizontal slots. Use two wraps and secure by bending end over top of buckle. Allow 1/4” clearance between cable and top of the ACD. The ACD must be allowed to swing free with the wind.
4. Position lashing clamps inside lashed cable supports and secure. Lashing clamps will restrict longitudinal movement to cable area protected by cable guards.
5. **Placement** – The number of ACDs varies with the length of cable span and terrain. The following is recommended as a guide for maximum effectiveness.

Level Ground – Locate at span’s center for 125-170 ft. spans (Fig. 1). On spans 170-300 ft., locate two ACDs, each one-fourth the total span length from either pole. (Fig. 2)

Steep Grade – Locate one-tenth total span length from pole at lower level on 125-170 ft. spans. (Fig 3). On spans 170-300 ft., two ACDs are required. Locate one at one-fourth the total span length from lower pole. Locate second ACD halfway between first ACD and uphill pole. (Fig. 4).

Note: When installing on Fig. 8 cable:

1. ACD should be secured to exposed strand.
2. ACD will have limited dampening effective in extreme high wind conditions.

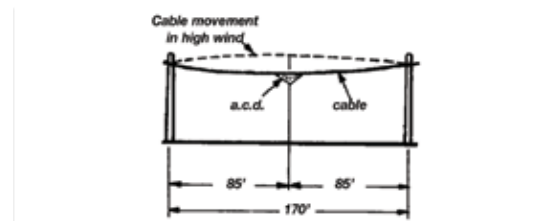


Fig. 1 – Level ground – 125'-170' spans

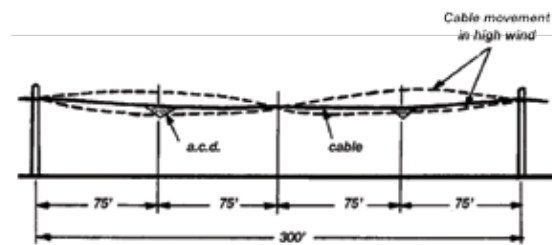


Fig. 2 – Level ground – 170'-300' spans

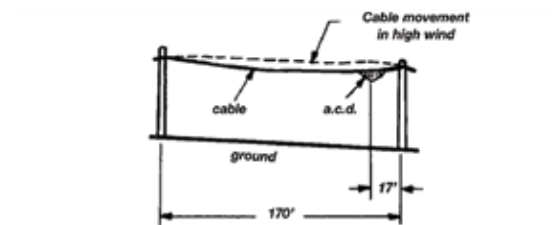


Fig. 3 – steep grade – 125'-170' spans

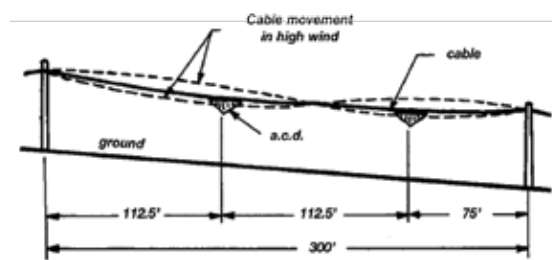


Fig. 4 – steep grade – 170'-300' spans