



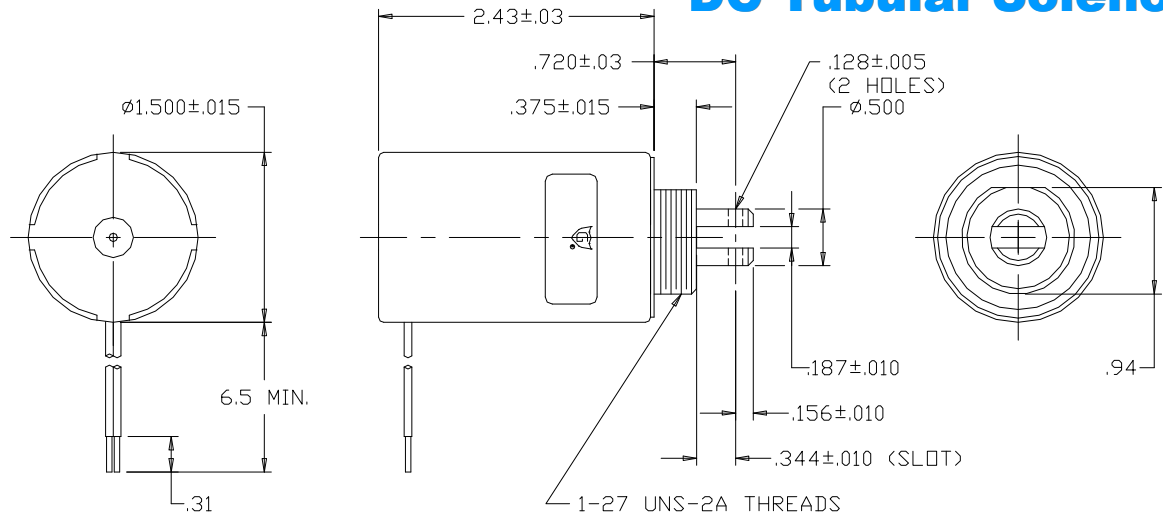
**ISO 9001 / AS9100 Certified Company**

Woodstock, IL 60098 Ph. (815)334-3600 Fax (815)337-0377

Or visit us at our website [www.guardian-electric.com](http://www.guardian-electric.com)

## Model T12 x 19

## DC Tubular Solenoid



Solenoid shown energized and fully seated.

Supplied with mounting bracket, hex nut and lockwasher (not shown).

Spring kits are available (consult factory).

Total Weight: 10.2 oz.

Plunger Weight: 1.6 oz.


| Model No.   | Part No.       | Duty Cycle   | Voltage | Resistance (Ω) | Power (W) | Current |
|-------------|----------------|--------------|---------|----------------|-----------|---------|
| T12x19-I-12 | A420-066843-00 | Intermittent | 12VDC   | 5.6            | 27        | 2.14 A  |
| T12x19-C-12 | A420-066842-00 | Continuous   | 12VDC   | 17.5           | 8.6       | 686 mA  |
| T12x19-I-24 | A420-066845-00 | Intermittent | 24VDC   | 22.1           | 27.4      | 1.09 A  |
| T12x19-C-24 | A420-066844-00 | Continuous   | 24VDC   | 68             | 8.9       | 353 mA  |

When ordering, please refer to Part No., as listed above.

Consult factory for custom configurations.

| Stroke (in.)      | Pull Force (oz.) |       |       |       |       |       |       |       | Holding Force (oz.) |
|-------------------|------------------|-------|-------|-------|-------|-------|-------|-------|---------------------|
|                   | 0.050            | 0.125 | 0.250 | 0.375 | 0.500 | 0.625 | 0.750 | 1.000 |                     |
| Continuous Duty   | 100              | 60    | 30    | 20    | 18    | 15    | 10    | 8     | 179                 |
| Intermittent Duty | 145              | 110   | 70    | 50    | 40    | 35    | 27    | 20    | 205                 |

### UL Recognition

Recognized under the  Component Recognition Program of **Underwriters Laboratories, Inc.**

### Continuous Duty

100% 'On' Time

### Intermittent Duty

25% 'On' Time, (100 Seconds 'On' Max. Followed By 300 Seconds 'Off' Min.)

### RoHS

These parts comply with **RoHS** Directive 2002/95/EC