

# LE/LES

## Signal Tower



LED



85dB at 1m  
(LE-FB type)

∅50

IP54  
(Pole-mount type IP23)

NPN/PNP  
Open collector

LES-A

LE



Reflection system



High visibility from any direction

### Versatile, cost and energy efficient LED Signal Tower for every need.

- PATLITE's Exclusive Hybrid Prism Cut Lens: For enhanced visibility from any direction and distance.
- Original Dual Reflection System: For enhanced light diffusion, creating bright distinctive illumination while saving energy (Patent Pending).
- Built-in Alarms (FB Type): 2 selectable sound patterns with adjustable volume up to 85dB at 1m.
- Installation: Direct or pole mount
- Color-coordinated Wiring: Corresponds to the lens colors for quick wiring verification.
- Interchangeable LED Modules: No re-wiring even after installation for LE model. The LED module of LES-A cannot be added, removed or interchanged.
- Main Body: ABS resin with superior resistance to impact and heat.
- Lens: Superior impact resistant and light translucent AS resin.
- NPN/PNP Compatible: Except LE 100/220V AC, compatible with NPN only.
- Available Colors: Red, Amber, Green, Blue, Clear.

#### Available by Special Order

- LES 24V: IP65 for direct mount and IP54 for pole mount types.
- UL type (E215660).

#### Interchangeable LED modules

- Changeable color sequence: Easy to add / remove up to 5 colored modules even after installation.
- Note: LED modules of the same color will light up simultaneously.

#### The wiring remains the same

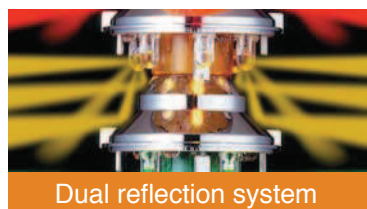
Each color of LED module corresponds to the lead wire color.



#### Easy to add and remove

If the number of LED module is changed, center shaft must be purchased.

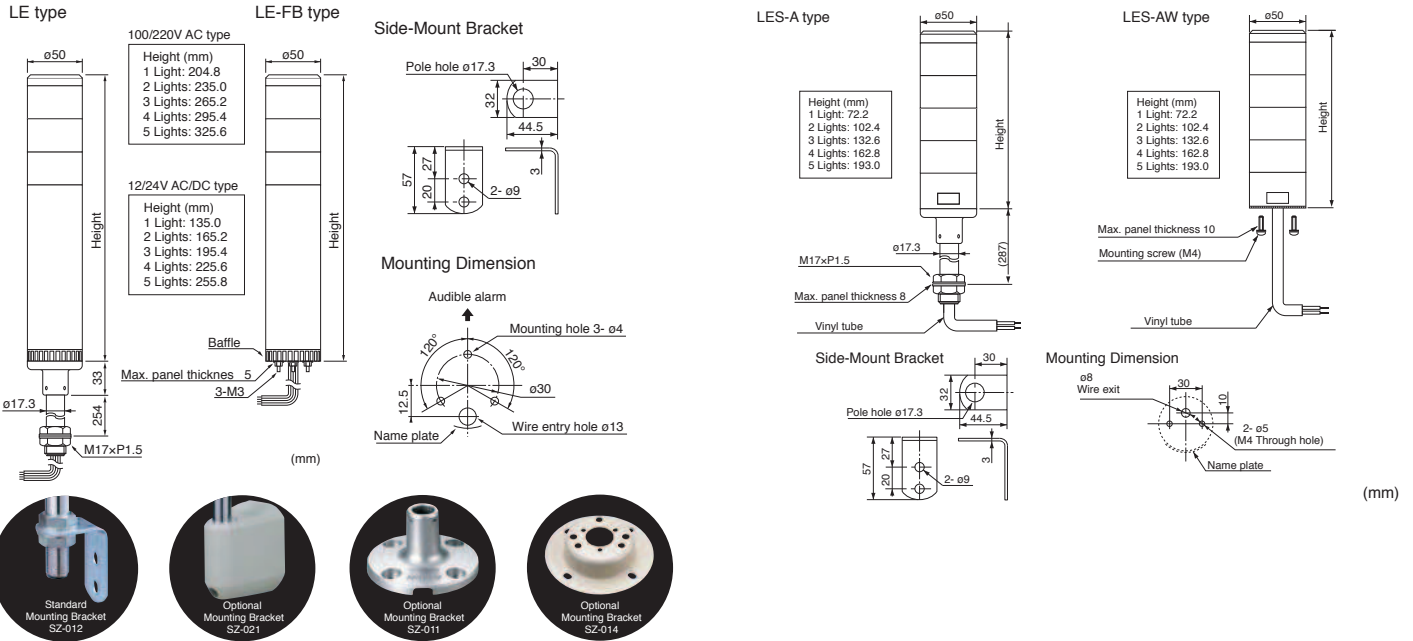
- Note: The LED module of LES-A cannot be added, removed or interchanged.



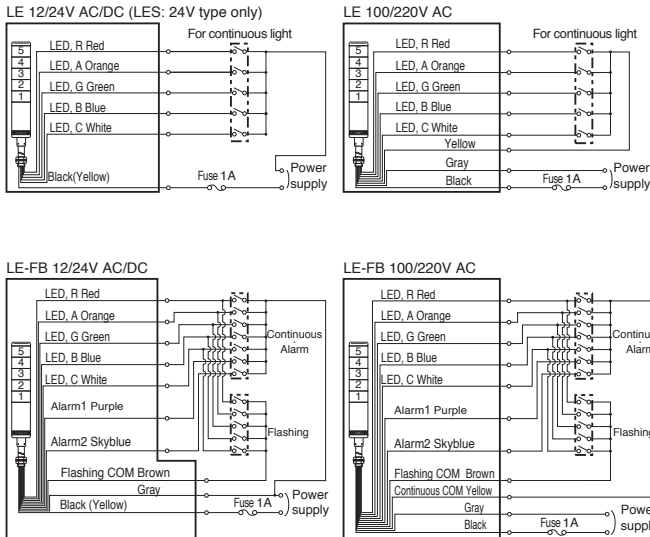
Dual reflection system

PATLITE's original double reflection system with its exclusive hybrid prism-cut lens and 5 color LED modules create distinctive illumination that is bright and even (Patent Pending).

# Dimensions



# Wiring Diagram



Signal line voltage and current per LED module

Model	Rated Voltage	Signal Line Voltage	LED			Alarm
			Signal Line Current			
LE	12V AC/DC	12V AC/DC	R, A: 50mA	G, C: 40mA	B: 44mA	Signal Line Current 40mA
LES/LE	24V AC/DC	24V AC/DC	R, A: 25mA	G, C: 20mA	B: 22mA	Inrush Current 150mA
LE	100V, 220V AC	24V DC	R, A: 25mA	G, C: 20mA	B: 22mA	

Color Designator Chart \*

Color of LED unit	Color of Lead wire
Red	Red
Amber	Orange
Green	Green
Blue	Blue
Clear/White	White

Alarm	Color of Lead wire
Alarm1	Purple
Alarm2	Skyblue

\*Alarm wires do not exist for continuous only models.

\*LE type: All 5 light wires are supplied even if all colors are not used.

Fuse for customer-supplied contact protection

Voltage	Fuse
All voltage types	1A

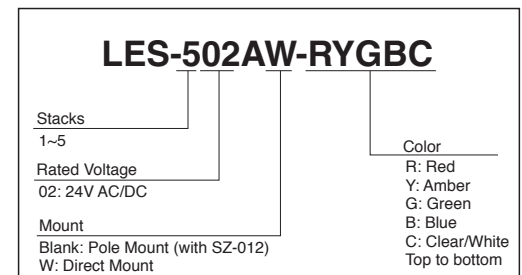
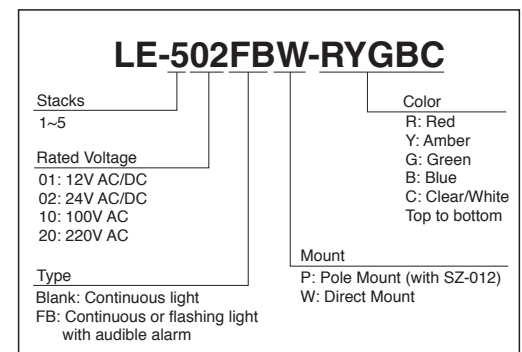
Note: See page 168 for wiring diagram

# LE Type

Number of Stacks	Model	Rated Voltage	Power Consumption
1 Light	LE-101	12V AC/DC	1.1W
	LE-102	24V AC/DC	1.6W
	LE-110	100V AC	5.7W
2 Lights	LE-120	220V AC	6.7W
	LE-201	12V AC/DC	1.7W
	LE-202	24V AC/DC	2.2W
3 Lights	LE-210	100V AC	6.7W
	LE-220	220V AC	6.7W
	LE-301	12V AC/DC	2.2W
4 Lights	LE-302	24V AC/DC	2.7W
	LE-310	100V AC	7.5W
	LE-320	220V AC	7.5W
5 Lights	LE-401	12V AC/DC	2.7W
	LE-402	24V AC/DC	3.2W
	LE-410	100V AC	8.3W
5 Lights	LE-420	220V AC	8.3W
	LE-501	12V AC/DC	3.2W
	LE-502	24V AC/DC	3.7W
5 Lights	LE-510	100V AC	9.1W
	LE-520	220V AC	9.1W

FB type: approx. 60 flashes per minute.

# How to Order



# LES Type

Number of Stacks	Model	Rated Voltage	Power Consumption
1 Light	LES-102A	24V AC/DC	0.6W
2 Lights	LES-202A	24V AC/DC	1.2W
3 Lights	LES-302A	24V AC/DC	1.7W
4 Lights	LES-402A	24V AC/DC	2.2W
5 Lights	LES-502A	24V AC/DC	2.7W