

(5,08 mm) .200"

PSS SERIES

POWER SOCKET STRIP

SPECIFICATIONS

For complete specifications and recommended PCB layouts see www.samtec.com?PSS

Insulator Material: Black LCP

Contact Material: BeCu

Plating: Sn over 50µ" (1,27 µm) Ni

Current Rating (PSS/FWS): 11.4 A per pin (1 pin powered)

Insertion Depth: (2,62 mm) .103" to (5,03 mm) .198"

Insertion Force: (Single contact only) 28 oz (7,78 N) avg

Withdrawal Force: (Single contact only) 20 oz (5,56 N) avg

Voltage Rating: 500 VAC mated with FWS

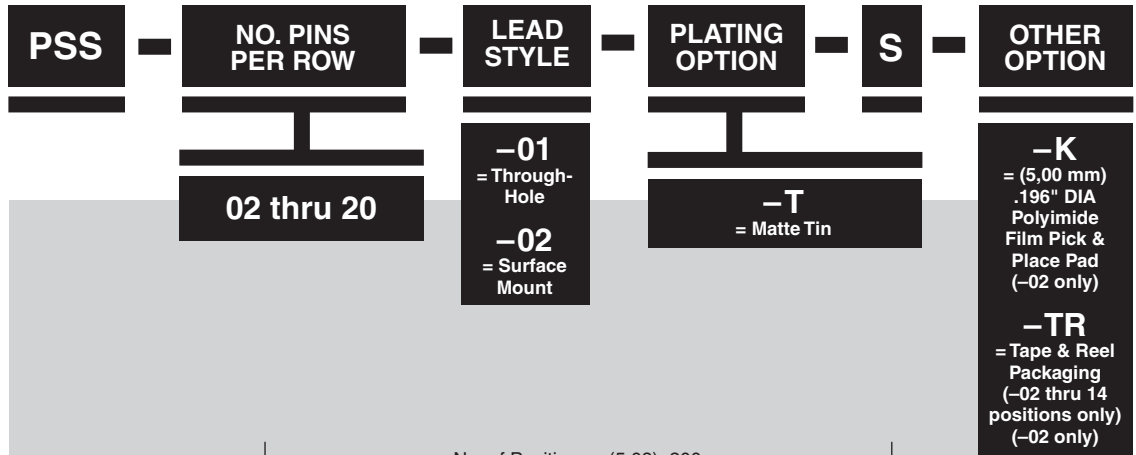
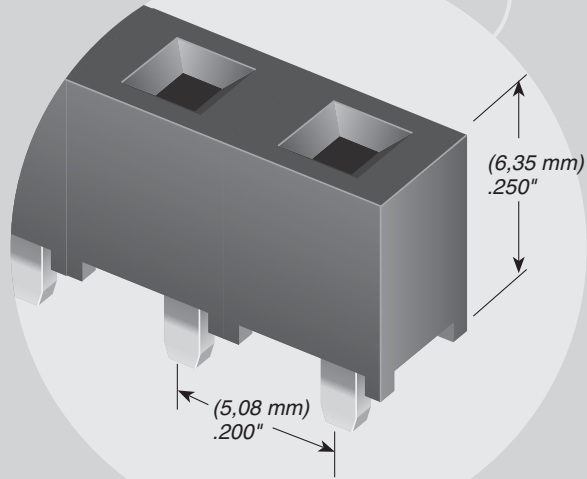
Lead-Free Solderable: Yes

SMT Lead Coplanarity: (0,15 mm) .006" max (02-14) (0,20 mm) .008" max (15-20)

RoHS Compliant: Yes

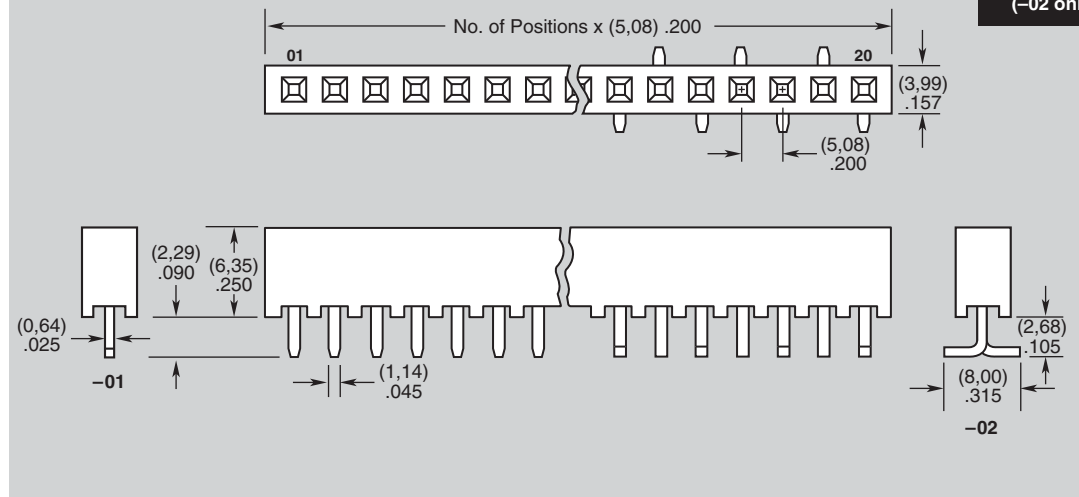
Mates with:
FWS, HFWS,
SW, HPM, HPW

POWER BUY CONTACT



RECOGNITIONS

For complete scope of recognitions see www.samtec.com/quality



Note: Some lengths, styles and options are non-standard, non-returnable.