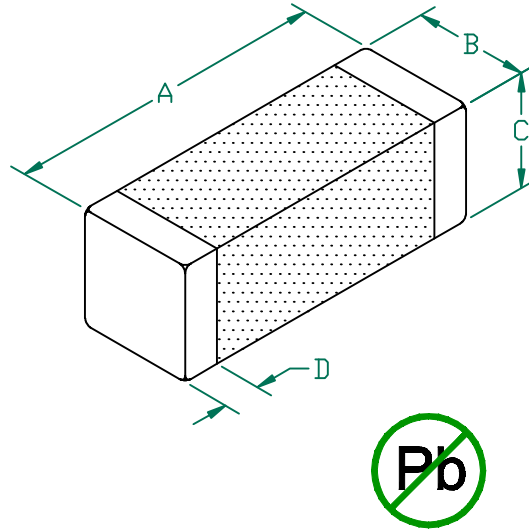


HI1806N910R-10

UNCONTROLLED DOCUMENT

PHYSICAL DIMENSIONS:

A	4.50 [.177]	+ 0.25 [.010]
B	1.60 [.063]	+ 0.25 [.010]
C	1.60 [.063]	+ 0.25 [.010]
D	0.51 [.020]	+ 0.25 [.010]

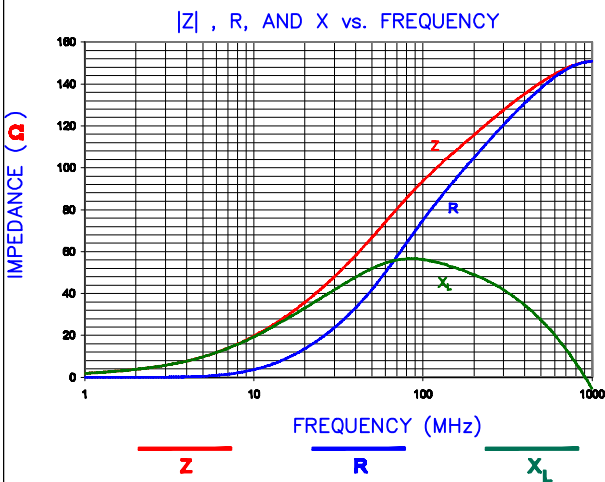
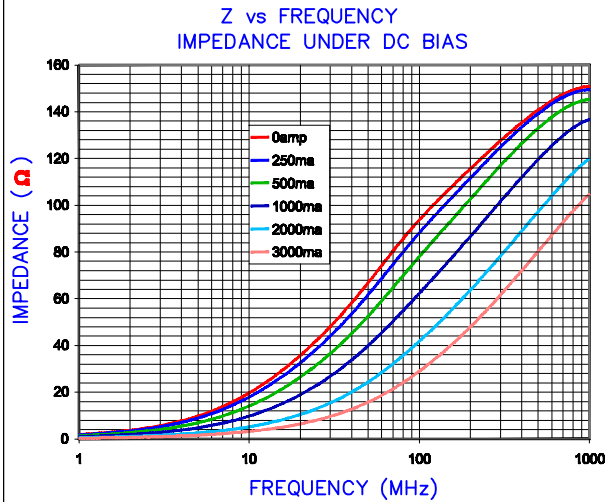


ELECTRICAL CHARACTERISTICS:

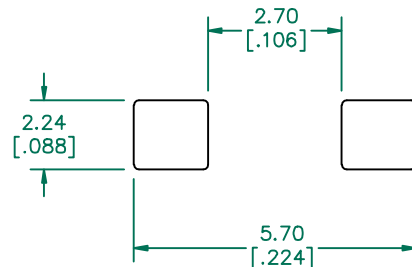
Z @ 100MHz (Ω)	DCR (Ω)	Rated Current
Nominal	91	
Minimum	68	
Maximum	114	0.030 3000 mA

NOTES: UNLESS OTHERWISE SPECIFIED

1. TAPED AND REELED per CURRENT EIA SPECIFICATIONS 7" REELS, 2,000 PCS/REEL.
2. COMPONENTS SHOULD BE ADEQUATELY PREHEATED BEFORE SOLDERING.
3. TERMINATION FINISH IS 100% TIN.

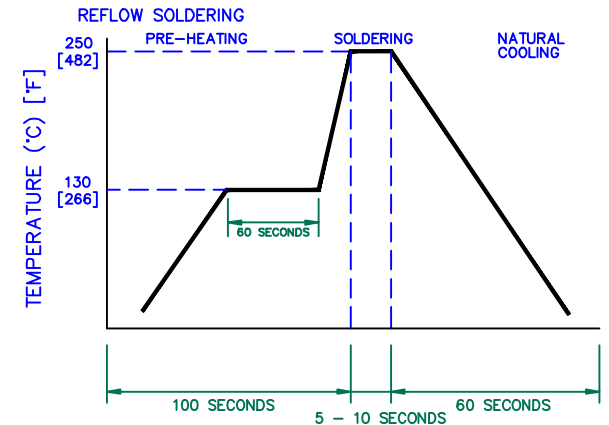


LAND PATTERNS FOR REFLOW SOLDERING



(For wave soldering, add 0.762 [.030] to this dimension.)

RECOMMENDED SOLDERING CONDITIONS



DIMENSIONS ARE IN mm [INCHES]				This print is the property of Laird Tech. and is loaned in confidence subject to return upon request and with the understanding that no copies shall be made without the written consent of Laird Tech. All rights to design or invention are reserved.				
D	CHANGE B DIMENSION	06/25/09	JRK	PROJECT/PART NUMBER: HI1806N910R-10	REV	D	PART TYPE: CO-FIRE	DRAWN BY: JRK
C	CHG REEL QTY FROM 3K TO 2K UPDATE COMPANY LOGO	11/05/08	JRK		DATE: 04/15/04	SCALE: NTS	SHEET: 2 of 2	
B	UPDATE COMPANY LOGO ADD ROHS	01/18/08	JRK		GAD #	TOOL #		
A	ORIGINAL DRAFT	04/15/04	JRK					
REV	DESCRIPTION	DATE	INT		HI1806N910R-10-D			

