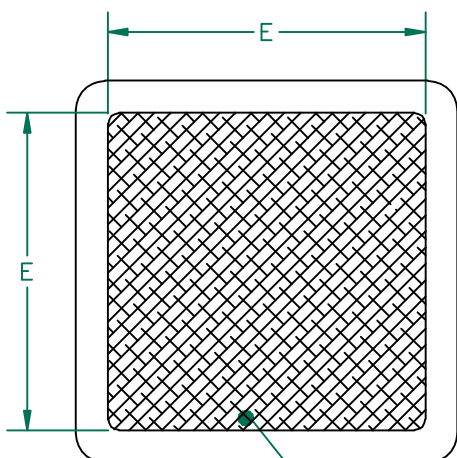


R 2.00 [.080]
4 PLCS



ADHESIVE TAPE

**UNCONTROLLED
DOCUMENT**

NOTES:

1. CORE: MP1040-2B0.
2. ADHESIVE: P/N 21228
3. REFERENCE 3M TAPE 468MP ADHESIVE TRANSFER TAPE OR ENGINEER APPROVED ALTERNATIVE.

DIMENSIONS

A	26.42 [1.040]	±	0.38 [.015]
B	26.42 [1.040]	±	0.38 [.015]
C	1.91 [.075]	±	0.13 [.005]
D	0.13 [.005]		TYP.
E	21.97 [.865]		TYP.

WEIGHT/1000 6.55 kgs [14.43 Lbs]

DIMENSIONS ARE IN mm [INCHES].				This print is the property of Laird Tech. and is loaned in confidence subject to return upon request and with the understanding that no copies shall be made without the written consent of Laird Tech. All rights to design or invention are reserved.				
REV	DESCRIPTION	DATE	INT					REV
H	CHANGE D DIMENSION	07/09/09	JRK	PROJECT/PART NUMBER:		H	FERRITE PLATE	DTR
G	REMOVE PULLTAB REVISE NOTE #3	06/12/09	JRK	MP1040-200				
F	UPDATE COMPANY LOGO AND NOTE #3	12/11/08	JRK	DATE:	02/12/98	SCALE:	2 : 1	MATERIAL:
E	COR. P/N IN 1:1 REV C DIM & TOLERANCE	01/23/06	JRK	CAD #	MP1040-200-H	TOOL #	P1040	Ferrite
D	STANDARDIZE PRINT FORMAT(SEE COVER SHT)	09/22/05	JRK	REV		PART TYPE:		
C	RE-ACTIVATE PRINT UPDATE PRINT FORMAT CHANGE P/N FROM *P1040-*	10/05/04	JRK					
B	UPDATE PRINT FORMAT, ADD NOTE 1 & 2 ADDED NOTE 8 & AND CALL-OUT	08/26/99	JAJ					
A	ORIGINAL DRAFT	02/12/98	DTR					
REV	DESCRIPTION	DATE	INT					