



<b>Ordering number</b>	<b>C11997</b>		
<b>Description</b>	<b>C11997-Emily-SS-was-OSL</b>		
Family	Emily	FWHM	0 degrees
Type	Lens	Efficiency	-
LED	Oslon SSL 80	cd/lm	-
Color	Transparent	Gerber File	Available
Diameter	26 mm		
Height	15.00 mm		
Style	Round		
Optic Material	PMMA		
Holder Material	-		
Fastening	Tape, pin		
Status	Ready		



<b>Ordering number</b>	<b>CA11998</b>		
<b>Description</b>	<b>CA11998_Emily-SS-was-Tape-OSL</b>		
Family	Emily	FWHM	0 degrees
Type	Lens	Efficiency	-
LED	Oslon SSL 80	cd/lm	-
Color	Transparent	Gerber File	Available
Diameter	26 mm		
Height	15.00 mm		
Style	Round		
Optic Material	PMMA		
Holder Material	-		
Fastening	Tape, pin		
Status	Ready		



<b>Ordering number</b>	<b>C11999</b>		
<b>Description</b>	<b>C11999-Emily-O-was-OSL</b>		
Family	Emily	FWHM	0 degrees
Type	Lens	Efficiency	-
LED	Oslon SSL 80	cd/lm	-
Color	Transparent	Gerber File	Available
Diameter	26 mm		
Height	15.00 mm		
Style	Round		
Optic Material	PMMA		
Holder Material	-		
Fastening	Tape, pin		
Status	Tooling		



<b>Ordering number</b>	<b>CA12000</b>		
<b>Description</b>	<b>CA12000_Emily-O-was-Tape-OSL</b>		
Family	Emily	FWHM	0 degrees
Type	Lens	Efficiency	-
LED	Oslon SSL 80	cd/lm	-
Color	Transparent	Gerber File	Available
Diameter	26 mm		
Height	15.00 mm		
Style	Round		
Optic Material	PMMA		
Holder Material	-		
Fastening	Pin, tape		
Status	Ready		



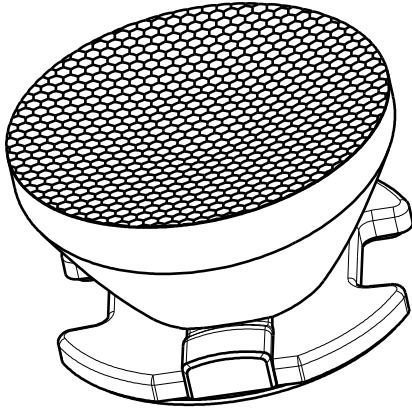
## Emily Emily-WAS series

D

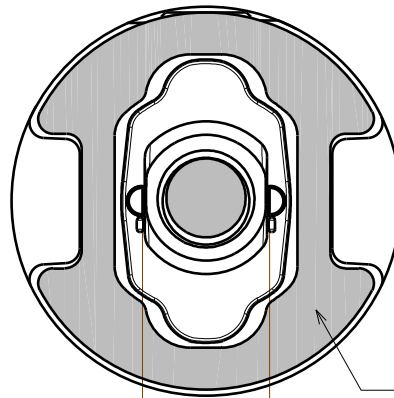
C

B

A



Isometric view

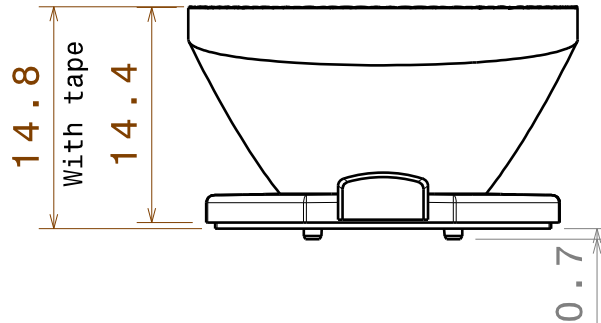


Bottom view

0.4mm tape

8.6

location pins



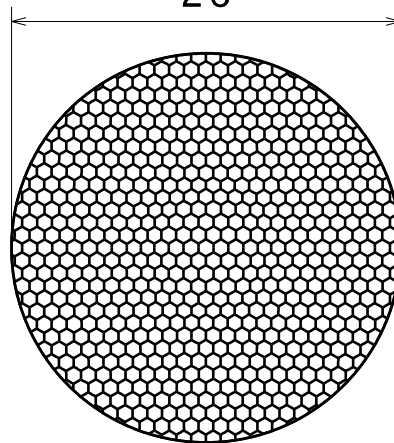
Front view

14.8  
With tape

14.4

0.7

26



Top view

Part No.s:

- CA11998\_Emily-SS-was-Tape-XP
- CA11998\_Emily-SS-was-Tape-XP-G
- CA11998\_Emily-SS-was-Tape-XM
- CA11998\_Emily-SS-was-Tape-RE
- CA11998\_Emily-SS-was-Tape-RE-ES
- CA11998\_Emily-SS-was-Tape-N19
- CA11998\_Emily-SS-was-Tape-OSL
- CA11998\_Emily-SS-was-Tape-Z5

- CA12000\_Emily-O-was-Tape-XP
- CA12000\_Emily-O-was-Tape-XP-G
- CA12000\_Emily-O-was-Tape-XM
- CA12000\_Emily-O-was-Tape-RE
- CA12000\_Emily-O-was-Tape-RE-ES
- CA12000\_Emily-O-was-Tape-N19
- CA12000\_Emily-O-was-Tape-OSL
- CA12000\_Emily-O-was-Tape-Z5

Material: Lens PMMA

This drawing is our property. It can't be reproduced or communicated without our written agreement.



Ledil Oy  
Tehdaskatu 13  
FIN-24100 SALO  
Finland

DRAWING TITLE

Datasheet Emily-was Assembly

DRAWN BY

mav

DATE

01.03.2011

CHECKED BY

hh

DATE

01.03.2011

SIZE

A4

DRAWING NUMBER

Multiple

REV

1

DESIGNED BY

hh

DATE

25.01.2011

SCALE

2:1

WEIGHT (g)

SHEET

1/1

D

A

4

4

3

3

2

2

1

1