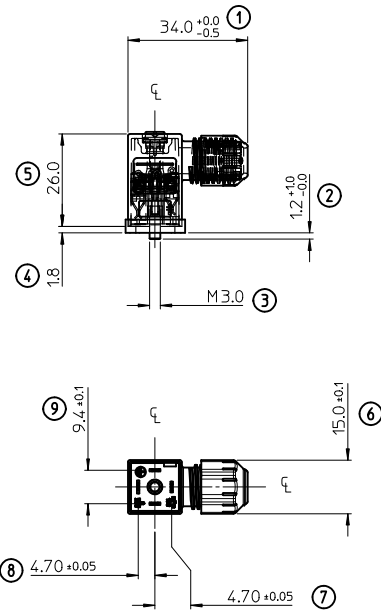
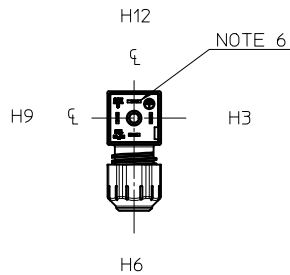


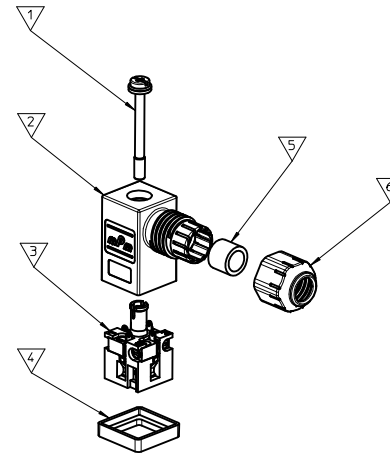
Part No	MPM Part No	DESCRIPTION
1212050001	C29200N0T	FORM C MICRO 2 POLE BLACK NBR GASKET
1212050002	C29200G0T	FORM C MICRO 2 POLE GREY NBR GASKET
1212050003	C29200W0T	FORM C MICRO 2 POLE BLACK VO NBR GASKET
1212050004	C29200T0T	FORM C MICRO 2 POLE TRANSPARENT NBR GASKET
1212050005	C29300N0T	FORM C MICRO 3 POLE BLACK NBR GASKET
1212050006	C29300G0T	FORM C MICRO 3 POLE GREY NBR GASKET
1212050007	C29300W0T	FORM C MICRO 3 POLE BLACK VO NBR GASKET
1212050008	C29300T0T	FORM C MICRO 3 POLE TRANSPARENT NBR GASKET
1212050009	C29200N0TCN	FORM C MICRO 2 POLE BLACK NBR GASKET
1212050011	C29200W0TCN	FORM C MICRO 2 POLE BLACK VO NBR GASKET
1212050012	C29200N2TSN	FORM C MICRO 2 POLE BLACK VO NBR GASKET



NOTES:

- FOR SPECIFIC PART NUMBERS PLEASE CONTACT SALES OR CONSULT THE INTELLIGENT PART NUMBERS IN THE TABLE ATTACHED
- PACKAGING SPECIFICATION: PLEASE SEE PK-121201-001
- PRODUCT SPECIFICATION: PLEASE SEE PS-121201-001
- CABLE SIZES 3 - 5.5 MM DIAMETER
- TIGHTENING TORQUES: SEE PS-121201-001
- GROUND POSITION SHOWN H12

LAST INSPECTION NUMBER 9



ITEM	DESCRIPTION
1	SCREW
2	EXTERNAL THREAD COVER
3	INSERT
4	GASKET
5	GROMMET
6	EXTERNAL THREAD NUT

C29200N0T **

SERIES _____
 C29= EXTERNAL THREAD FORM C MICRO
 POLES _____
 2= 2 POLE & 3= 3 POLE
 THREAD _____
 00 = EXTERNAL THREAD
 MATERIAL AND HOUSING COLOR _____
 G= PA6 GREY, N= PA6 BLACK, W= PA6 BLACK VO, T= TRANSPARENT
 GROUND POSITION _____
 0= UNMOUNTED, 2= H12, 3=H3, 6 =H6 & 9= H9
 SCREW AND GASKET _____
 U= PROFILE SILICON GASKET AND IP67 SCREW
 T= PROFILE NBR GASKET AND IP67 SCREW
 NON STANDARD PACKAGING _____
 CN= BULK PACK UN-MOUNTED
 SN= BULK PACK MOUNTED

ADDED PN EC NO: WEU2011-0387 DRWN:DMAHER_WEU 2011/02/04 CHKD: APPR:EFOLAN 2011/02/11	QUALITY SYMBOLS ▽=0 ▽=0	GENERAL TOLERANCES (UNLESS SPECIFIED)		DIMENSION STYLE MM ONLY		SCALE 1:1	DESIGN UNITS METRIC	THIRD ANGLE PROJECTION	
		4 PLACES ± ---	± ---	DRAWN BY DMAHER_WEU	DATE 2010/05/10	TITLE EXTERNAL THREAD C29 SERIES 121205			
DESCRIPTION REV	DRAFT WHERE APPLICABLE MUST REMAIN WITHIN DIMENSIONS	3 PLACES ± ---	± ---	CHECKED BY	DATE	APPROVED BY EFOLAN 2010/05/25			
		2 PLACES ± 0.1	± ---	MATERIAL NO.		DOCUMENT NO. SD-121205-001		SHEET NO. 1 OF 1	
		1 PLACE ± 0.2	± ---	SIZE A2		THIS DRAWING CONTAINS INFORMATION THAT IS PROPRIETARY TO MOLEX INCORPORATED AND SHOULD NOT BE USED WITHOUT WRITTEN PERMISSION			
		ANGULAR ± ---°							